


ADAPTORS PRICE LIST 2016




COMET FLUID POWER


MANUFACTURERS AND STOCKHOLDERS OF HYDRAULIC HOSE,
JET WASH HOSE AND ASSOCIATED COMPONENTS

 Challenger House, Shawcross Business Park,
Owl Lane, Dewsbury WF12 7RF

 01924 455 667

 01924 456 292

 sales@challenger-group.co.uk

 challenger-group.co.uk

COMET FLUID POWER

OUR PRODUCTS

Hydraulic Hose and Swage Fittings

A complete range of hydraulic hose and assemblies are offered from ISN through to R13 multi spiral and are available in bore sizes 1/4"NB to 2"NB. The complete range of BSP, JIC, METRIC, NPT, ORFS and SAE flange fittings are available from stock in both mild steel and 316L stainless steel. Pressure testing of hydraulic hose assemblies is available with test pressures up to 830 Bar.



Hydraulic Adaptors

A full range of adaptors are available from stock including BSP, JIC, METRIC, NPT and SAE in all configurations. All fittings are available in mild steel and 316L stainless steel. In addition, a range of dowty seals and O rings are available to compliment the range.



Quick Release Couplings

We are an official Holmbury distributor and carry a full range of ISO A, ISO B and BHTMA approved flat face quick release couplings that offer pressure ranges from 100 Bar to 600 Bar. Materials available are mild steel, 316L stainless steel, QPQ and aluminium.



Industrial Hose, Metallics & PTFE

A full range of industrial hoses are available including rubber, EPDM, PVC, metallic and PTFE to carry all mediums from water, oil, foodstuffs to chemicals. Hose connections are available in mild steel, 316L stainless steel, brass, plastic and aluminium.

COMET FLUID POWER

MANUFACTURERS AND STOCKHOLDERS OF HYDRAULIC HOSE, JET WASH HOSE AND ASSOCIATED COMPONENTS

INDEX

- 4 | BSP Male x Male Adaptors
BSP Male x Male Restrictor
- 5 | BSP Male x Male NCB 174 Spec.
BSP Bulkheads c/w Locknut
BSP Reducing Bulkheads c/w Locknut
BSP Extended Bulkheads c/w Locknut
- 6 | BSP Male x BSP Taper Male
- 7 | BSP Taper Male x BSP Taper Male
BSP Taper Male x JIC Male
NPTF Male x NPTF Male
- 8 | BSP Male x JIC Male
- 9 | BSP Male x NPTF Male
- 10 | NPTF Male x JIC Male
JIC Male x JIC Male
- 11 | JIC Bulkheads c/w Locknut
BSP Male x UNF Male c/w 'O' Ring
- 12 | BSP Male x Metric Male
- 13 | Metric Male x Metric Male
Metric Bulkheads c/w Locknut
Metric Male x JIC Male
- 14 | BSP Male x BSP Female Swivel
BSP Male x JIC Swivel Female
- 15 | Metric Male x Metric Male
BSP Male x Metric Swivel Female
Metric Male x JIC Swivel Female
Metric Male x Female Swivel
- 16 | BSP Taper Male x BSP Swivel Female
NPTF Male x JIC Swivel Female
NPTF Male x BSP Swivel Female
JIC Male x JIC Swivel Female
- 17 | JIC Male x BSP Swivel Female
JIC Male x Metric Swivel Female
BSP Male x BSP Fixed Female
- 18 | BSP Male x Fixed Female
Gauge Adaptors
BSP Taper Male x BSP Fixed Female
BSP Female x Female Swivel
- 19 | BSP Female x JIC Female
BSP Female x Metric Female
JIC Female x Female Swivel
- 20 | Metric Female/Female Swivel
BSP Female x Female Fixed
BSP Coned Plugs
BSP Taper Male Plugs
- 21 | JIC Plugs
ORFS Plugs
BSP Swivel Blanking Caps
JIC Swivel Caps
ORFS Swivel Blanking Caps
BSP Male Tee
BSP Male Tee Forged
- 22 | BSP Male Tee Forged
BSP Male Tee
BSP Swivel Female Tees
Square Body, Brazed
BSP Male x Male x Female Swivel Tee
BSP Male x Male x Female Forged Tee
- 23 | BSP Male x Female x Male Tee
BSP Male x Female x Male Forged Tee
BSP Male x Female x Female Swivel Tee
BSP Female x Female x Male Tee
BSP Male x Adjustable Male x BSP Male Tee
BSP Male x Male x BSP Adjustable Tee
BSP Fixed Female Forged Tees
- 24 | BSP Fixed Female Tees
JIC Male Tees
JIC Swivel Female Tees
JIC Male x Female x Male Tee
JIC Male x Male x Female Tee
JIC Male x Female x Female Tee
JIC Female x Female x Male Tee
- 25 | BSP Male Crosses
BSP Swivel Female Crosses
BSP Fixed Female Crosses
NPTF Fixed Female Crosses
JIC Male Crosses
BSP Male x Female 90' Block Elbows
- 26 | BSP Male x Male 90' Block Elbow
BSP Male x Male 90' Forged Elbow
BSP Male x Male 90' Block Elbow
BSP Male x BSP Taper Male 90' Elbow
BSP Male x NPTF Male 90' Elbows
BSP Male x JIC Male 90' Elbow
BSP Female x Female 90' Block Elbow
- 27 | BSP Fixed Female 90' Elbows Forged
BSP Fixed Female 90' Elbow Brazed
BSP Male x Female 45' Forged Elbows
BSP Female x Female Swivel 45' Elbows
JIC Male x JIC Swivel Female 90' Elbow
JIC Male x JIC Female 45' Elbow
- 28 | JIC Male x BSP Swivel Female 90' Elbow
JIC Male x JIC Male 90' Elbow
JIC Female x Female Swivel 90' Elbow
BSP Male x JIC Swivel Female 90' Elbow
BSP Taper Male x BSP Taper Male 90' Elbow
BSP Male x Female 90' Swept Elbow
BSP Female x Female 90' Swept Elbow
- 29 | BSP Male x Male 90' Swept Elbow
BSP Male x Female 45' Swept Elbow
BSP Female x Female 45' Swept Elbow
BSP Male Male 45' Swept Elbow
BSP Male x ORFS Male
- 30 | BSP Male x ORFS Female Swivel
ORFS Male x ORFS Swivel Female
ORFS Male x ORFS Male
UNF Male x ORFS Male
ORFS Bulkheads c/w Locknut
ORFS Male x Female 90' Elbow
- 31 | ORFS Male x Female 45' Elbows
ORFS Male x Male 90' Elbow
ORFS Male Tee
ORFS Male x Female x Male Tee
ORFS Male x Male x Female Tee
- 32 | Holmbury Firg Series BSP
- 34 | Holmbury ISO "A" Series BSP

COMET FLUID POWER ADAPTORS PRICE LIST

BSP Male x Male Adaptors

CODE	DESCRIPTION	PRICE
MB2	1/8 x 1/8	£0.36
MB2/MB4	1/8 x 1/4	£0.35
MB2/MB6	1/8 x 3/8	£0.59
MB2/MB8	1/8 x 1/2	£1.04
MB4	1/4 x 1/4	£0.28
MB4/MB6	1/4 x 3/8	£0.34
MB4/MB8	1/4 x 1/2	£0.59
MB4/MB10	1/4 x 5/8	£1.58
MB4/MB12	1/4 x 3/4	£1.09
MB4/MB16	1/4 x 1	£2.89
MB4/MB20	1/4 x 1 1/4	£10.30
MB4/MB24	1/4 x 1 1/2	£14.78
MB4/MB32	1/4 x 2	£21.28
MB6	3/8 x 3/8	£0.34
MB6/MB8	3/8 x 1/2	£0.55
MB6/MB10	3/8 x 5/8	£0.82
MB6/MB12	3/8 x 3/4	£0.86
MB6/MB16	3/8 x 1	£1.51
MB6/MB20	3/8 x 1 1/4	£8.44
MB6/MB24	3/8 x 1 1/2	£11.61
MB6/MB32	3/8 x 2	£20.30
MB8	1/2 x 1/2	£0.55
MB8/MB10	1/2 x 5/8	£0.78
MB8/MB12	1/2 x 3/4	£0.76
MB8/MB16	1/2 x 1	£1.51
MB8/MB20	1/2 x 1 1/4	£4.33
MB8/MB24	1/2 x 1 1/2	£10.40
MB8/MB32	1/2 x 2	£13.08
MB10	5/8 x 5/8	£0.77
MB10/MB12	5/8 x 3/4	£0.89
MB10/MB16	5/8 x 1	£2.52
MB10/MB20	5/8 x 1 1/4	£8.52
MB12	3/4 x 3/4	£0.74
MB12/MB16	3/4 x 1	£1.42
MB12/MB20	3/4 x 1 1/4	£3.29
MB12/MB24	3/4 x 1 1/2	£6.59
MB12/MB32	3/4 x 2	£12.50
MB14/MB16	7/8 x 1	£17.00
MB16	1 x 1	£1.38
MB16/MB20	1 x 1 1/4	£2.08

CODE	DESCRIPTION	PRICE
MB16/MB24	1 x 1 1/2	£3.50
MB16/MB32	1 x 2	£7.79
MB16/MB40	1 x 2 1/2	£30.90
MB20	1 1/4 x 1 1/4	£2.13
MB20/MB24	1 1/4 x 1 1/2	£3.16
MB20/MB32	1 1/4 x 2	£7.09
MB20/MB40	1 1/4 x 2 1/2	£31.08
MB24	1 1/2 x 1 1/2	£3.16
MB24/MB28	1 1/2 x 1 3/4	£13.61
MB24/MB32	1 1/2 x 2	£5.00
MB24/MB40	1 1/2 x 2 1/2	£31.08
MB28	1 3/4 x 1 3/4	£10.21
MB28/MB32	1 3/4 x 2	£13.15
MB28/MB40	1 3/4 x 2 1/2	£33.71
MB32	2 x 2	£5.00
MB32/MB40	2 x 2 1/2	£31.08
MB32/MB48	2 x 3	£60.32
MB32/MB64	2 x 4	£120.27
MB40	2 1/2 x 2 1/2	£27.07
MB40/MB48	2 1/2 x 3	£41.84
MB48	3 x 3	£41.84
MB48/MB56	3 x 3 1/2	£111.71
MB48/MB64	3 x 4	£120.69
MB56/MB64	3 1/2 x 4	£88.56
MB64	4 x 4	£101.12

BSP Male x Male Restrictor

CODE	DESCRIPTION	PRICE
MB2/MB4/R/1.0	1/8 x 1/4 1.0mm	£2.40
MB4/R/0.8	1/4 x 1/4 0.8mm	£1.12
MB4/R/1MM	1/4 x 1/4 1.0mm	£1.15
MB4/R/1.5MM	1/4 x 1/4 1.5mm	£1.15
MB4/R/3.0	1/4 x 1/4 3.0mm	£1.19
MB4/MB6/R0.6	1/4 x 3/8 0.6mm	£2.09
MB4/MB6/R/0.8	1/4 x 3/8 0.8mm	£1.35
MB4/MB6/R/1	1/4 x 3/8 1.0mm	£1.35
MB4/MB6/R/1.5	1/4 x 3/8 1.5mm	£1.35
MB4/MB6/R/2.0	1/4 x 3/8 2.0mm	£1.35
MB4/MB6/R2.5	1/4 x 3/8 2.5mm	£1.28
MB4/MB8/R/0.8	1/4 x 1/2 0.8mm	£2.57
MB4/MB8/R/1.0	1/4 x 1/2 1.0mm	£2.57

COMET FLUID POWER ADAPTORS PRICE LIST

CODE	DESCRIPTION	PRICE
MB4/MB8/R/1.2	1/4 x 1/2 1.2mm	£3.04
MB4/MB8/R/1.5	1/4 x 1/2 1.5mm	£2.57
MB6/R/0.5	3/8 x 3/8 0.5mm	£1.88
MB6/R/0.6	3/8 x 3/8 0.6mm	£1.82
MB6/R/0.8	3/8 x 3/8 0.8mm	£1.27
MB6/R/1	3/8 x 3/8 1.0mm	£1.27
MB6/R/1.5	3/8 x 3/8 1.5mm	£1.27
MB6/R/2.0	3/8 x 3/8 2.0mm	£1.15
MB6/R/2.5	3/8 x 3/8 2.5mm	£1.15
MB6/MB8/R/0.8	3/8 x 1/2 0.8mm	£1.51
MB6/MB8/R/1	3/8 x 1/2 1.0mm	£1.51
MB6/MB8/R/1.5	3/8 x 1/2 1.5mm	£1.51
MB6/MB8/R/2.0	3/8 x 1/2 2.0mm	£1.51
MB6/MB8/R3.0	3/8 x 1/2 3.0mm	£1.51
MB6/MB12/R/1.0	3/8 x 3/4 1.0mm	£4.79
MB6/MB12/R/2	3/8 x 3/4 2.0mm	£4.79
MB8/R/0/8	1/2 x 1/2 0.8mm	£1.54
MB8/R/1.0	1/2 x 1/2 1.0mm	£1.54
MB8/R/1.5	1/2 x 1/2 1.5mm	£1.54
MB8/R/1.75	1/2 x 1/2 1.75mm	£1.70
MB8/R/2.0	1/2 x 1/2 2.0mm	£1.62

BSP Male x Male NCB 174 Spec.

CODE	DESCRIPTION	PRICE
MB6/NCB	3/8 x 3/8	£0.90
MB6/MB8/NCB	3/8 x 1/2	£1.09
MB8/NCB	1/2 x 1/2	£1.09
MB8/MB10/NCB	1/2 x 5/8	£2.28
MB12/NCB	3/4 x 3/4	£1.82
MB16/NCB	1 x 1	£3.36
MB12/MB16/NCB	3/4 x 1	£3.55
MB12/MB20/NCB	3/4 x 1 1/4	£10.81
MB20/NCB	1 1/4 x 1 1/4	£6.80
MB20/MB24/NCB	1 1/4 x 1 1/2	£9.75
MB24/NCB	1 1/2 x 1 1/2	£9.03
MB32/NCB	2 x 2	£13.16

BSP Bulkheads c/w Locknut

CODE	DESCRIPTION	PRICE
BH/MB2	1/8"	£2.32
BH/MB4	1/4"	£1.24
BH/MB6	3/8"	£1.40
BH/MB8	1/2"	£1.50
BH/MB10	5/8"	£3.09
BH/MB12	3/4"	£2.85
BH/MB16	1	£3.15
BH/MB20	1 1/4"	£6.90
BH/MB24	1 1/2"	£12.04
BH/MB32	2"	£17.28
BH/MB40	2 1/2"	£73.83
BH/MB48	3"	£122.84
BH/MB64	4"	£119.02

BSP Reducing Bulkheads c/w Locknut

CODE	DESCRIPTION	PRICE
BH/MB4/MB6	1/4 x 3/8	£3.66
BH/MB6/MB4	3/8 x 1/4	£3.66
BH/MB6/MB8	3/8 x 1/2	£1.86
BH/MB8/MB6	1/2 x 3/8	£1.86
BH/MB8/MB10	1/2 x 5/8	£10.29
BH/MB8/MB12	1/2 x 3/4	£9.71
BH/MB12/MB8	3/4 x 1/2	£9.71
BH/MB12/MB16	3/4 x 1	£12.18
BH/MB16/MB12	1 x 3/4	£13.03
BH/MB16/MB20	1 x 1 1/4	£54.18

BSP Extended Bulkheads c/w Locknut

CODE	DESCRIPTION	PRICE
BH/MB4/EXT45	1/4 x 1/4 L=45mm	£4.86
BH/MB4/EXT51	1/4 x 1/4 L=51mm	£2.07
BH/MB6/EXT38	3/8 x 3/8 L=38mm	£2.96
BH/MB6/EXT47	3/8 x 3/8 L=47mm	£5.78
BH/MB6/EXT51	3/8 x 3/8 L=51mm	£3.66
BH/MB6/MB8/EXT51	3/8 x 1/2 L=51mm	£6.44
BH/MB8/MB6/EXT47	1/2 x 3/8 L=47mm	£5.97
BH/MB8/EXT51	1/2 x 1/2 L=51mm	£3.46

COMET FLUID POWER ADAPTORS PRICE LIST

CODE	DESCRIPTION	PRICE
BH/MB10/X53	5/8 x 5/8 L=53mm	£8.26
BH/MB10/X57	5/8 x 5/8 L=57mm	£8.61
BH/MB12/EXT57	3/4 x 3/4 L=57mm	£8.61
BH/MB12/EXT70	3/4 x 3/4 L=70mm*	£12.49
BH/MB12/EXT120	3/4 x 3/4 L=120mm*	£16.88
BH/MB16/MB12/EXT73	1 x 3/4 L=73mm*	£16.88
BH/MB16/EXT50	1 x 1 L=50mm	£9.11
BH/MB16/EXT53	1 x 1 L=53mm	£9.11
BH/MB16/X65	1 x 1 L=65mm	£16.71
BH/MB16/EXT80	1 x 1 L=80mm*	£12.83
BH/MB24/EXT140	1 1/2 x 1 1/2 L=140mm*	£23.63

BSP Male x BSP Taper Male

CODE	DESCRIPTION	PRICE
MB2/MBT2	1/8 x 1/8	£0.43
MB2/MBT4	1/8 x 1/4	£0.84
MB2/MBT6	1/8 x 3/8	£0.96
MB2/MBT8	1/8 x 1/2	£3.06
MB4/MBT2	1/4 x 1/8	£0.41
MB4/MBT4	1/4 x 1/4	£0.41
MB4/MBT6	1/4 x 3/8	£0.47
MB4/MBT8	1/4 x 1/2	£1.30
MB4/MBT12	1/4 x 3/4	£2.46
MB6/MBT2	3/8 x 1/8	£1.24
MB6/MBT4	3/8 x 1/4	£0.54
MB6/MBT6	3/8 x 3/8	£0.53
MB6/MBT8	3/8 x 1/2	£0.61
MB6/MBT10	3/8 x 5/8	£2.04
MB6/MBT12	3/8 x 3/4	£2.20
MB6/MBT16	3/8 x 1	£3.98
MB6/MBT24	3/8 x 1 1/2	£8.05
MB8/MBT2	1/2 x 1/8	£2.00
MB8/MBT4	1/2 x 1/4	£1.24
MB8/MBT6	1/2 x 3/8	£0.61
MB8/MBT8	1/2 x 1/2	£0.61
MB8/MBT10	1/2 x 5/8	£1.50
MB8/MBT12	1/2 x 3/4	£1.77
MB8/MBT16	1/2 x 1	£3.09
MB8/MBT20	1/2 x 1 1/4	£7.56
MB10/MBT4	5/8 x 1/4	£2.12
MB10/MBT6	5/8 x 3/8	£1.98

CODE	DESCRIPTION	PRICE
MB10/MBT8	5/8 x 1/2	£1.71
MB10/MBT10	5/8 x 5/8	£1.44
MB10/MBT12	5/8 x 3/4	£2.30
MB12/MBT4	3/4 x 1/4	£2.81
MB12/MBT6	3/4 x 3/8	£2.20
MB12/MBT8	3/4 x 1/2	£1.11
MB12/MBT10	3/4 x 5/8	£3.38
MB12/MBT12	3/4 x 3/4	£0.89
MB12/MBT16	3/4 x 1	£2.85
MB12/MBT20	3/4 x 1 1/4	£6.87
MB12/MBT24	3/4 x 1 1/2	£11.08
MB12/MBT32	3/4 x 2	£49.87
MB16/MBT4	1 x 1/4	£10.80
MB16/MBT6	1 x 3/8	£4.47
MB16/MBT8	1 x 1/2	£2.85
MB16/MBT12	1 x 3/4	£2.85
MB16/MBT16	1 x 1	£1.51
MB16/MBT20	1 x 1 1/4	£6.87
MB16/MBT24	1 x 1 1/2	£8.34
MB16/MBT32	1 x 2	£14.62
MB20/MBT12	1 1/4 x 3/4	£6.87
MB20/MBT16	1 1/4 x 1	£6.87
MB20/MBT20	1 1/4 x 1 1/4	£3.59
MB20/MBT24	1 1/4 x 1 1/2	£7.95
MB20/MBT32	1 1/4 x 2	£12.34
MB24/MBT16	1 1/2 x 1	£13.41
MB24/MBT20	1 1/2 x 1 1/4	£7.95
MB24/MBT24	1 1/2 x 1 1/2	£3.94
MB24/MBT32	1 1/2 x 2	£15.35
MB32/MBT16	2 x 1	£13.97
MB32/MBT20	2 x 1 1/4	£12.77
MB32/MBT24	2 x 1 1/2	£12.77
MB32/MBT32	2 x 2	£7.79
MB32/MBT40	2 x 2 1/2	£77.45
MB32/MBT48	2 x 3	£81.51
MB40/MBT32	2 1/2 x 2	£77.77
MB40/MBT40	2 1/2 x 2 1/2	£81.51
MB40/MBT48	2 1/2 x 3	£81.51
MB48/MBT40	3 x 2 1/2	£81.11
MB48/MBT48	3 x 3	£86.90
MB64/MBT64	4 x 4	£107.81

COMET FLUID POWER ADAPTORS PRICE LIST

BSP Taper Male x BSP Taper Male

CODE	DESCRIPTION	PRICE
MBT2	1/8 x 1/8	£0.66
MBT2/MBT4	1/8 x 1/4	£2.27
MBT2/MBT6	1/8 x 3/8	£2.27
MBT4	1/4 x 1/4	£0.69
MBT4/MBT6	1/4 x 3/8	£1.51
MBT4/MBT8	1/4 x 1/2	£1.74
MBT6	3/8 x 3/8	£0.85
MBT6/MBT8	3/8 x 1/2	£1.62
MBT8	1/2 x 1/2	£1.08
MBT8/MBT10	1/2 x 5/8	£1.94
MBT8/MBT12	1/2 x 3/4	£2.71
MBT10	5/8 x 5/8	£3.27
MBT12	3/4 x 3/4	£1.74
MBT12/MBT16	3/4 x 1	£4.48
MBT12/MBT20	3/4 x 1 1/4	£9.21
MBT16	1 x 1	£2.27
MBT16/MBT20	1 x 1 1/4	£8.03
MBT16/MBT24	1 x 1 1/2	£14.42
MBT20	1 1/4 x 1 1/4	£5.49
MBT20/MBT24	1 1/4 x 1 1/2	£13.03
MBT20/MBT32	1 1/4 x 2	£24.60
MBT24	1 1/2 x 1 1/2	£10.11
MBT24/MBT32	1 1/2 x 2	£21.79
MBT32	2 x 2	£14.08
MBT32/MBT40	2 x 2 1/2	£82.49
MBT32/MBT48	2 x 3	£101.84
MBT40	2 1/2 x 2 1/2	£82.49
MBT48	3 x 3	£102.30

BSP Taper Male x JIC Male

CODE	DESCRIPTION	PRICE
MBT2/MJ4	1/8 x 7/16	£1.03
MBT2/MJ5	1/8 x 1/2	£1.35
MBT2/MJ6	1/8 x 9/16	£1.16
MBT4/MJ4	1/4 x 7/16	£1.03
MBT4/MJ5	1/4 x 1/2	£1.23
MBT4/MJ6	1/4 x 9/16	£1.08
MBT4/MJ7	1/4 x 5/8 (45' cone)	£1.77

CODE	DESCRIPTION	PRICE
MBT4/MJ8	1/4 x 3/4	£1.44
MBT6/MJ4	3/8 x 7/16	£1.19
MBT6/MJ5	3/8 x 1/2	£1.47
MBT6/MJ6	3/8 x 9/16	£1.19
MBT6/MJ7	3/8 x 5/8 (45' cone)	£1.78
MBT6/MJ8	3/8 x 3/4	£1.42
MBT6/MJ10	3/8 x 7/8	£1.73
MBT8/MJ6	1/2 x 9/16	£1.61
MBT8/MJ7	1/2 x 5/8 (45' cone)	£2.17
MBT8/MJ8	1/2 x 3/4	£1.50
MBT8/MJ10	1/2 x 7/8	£1.51
MBT8/MJ12	1/2 x 1 1/16	£2.35
MBT12/MJ8	3/4 x 3/4	£2.70
MBT12/MJ10	3/4 x 7/8	£2.71
MBT12/MJ12	3/4 x 1 1/16	£2.25
MBT12/MJ14	3/4 x 1 3/16	£3.96
MBT12/MJ16	3/4 x 1 5/16	£3.29
MBT16/MJ8	1 x 3/4	£3.90
MBT16/MJ10	1 x 7/8	£4.19
MBT16/MJ12	1 x 1 1/16	£3.29
MBT16/MJ16	1 x 1 5/16	£3.29
MBT16/MJ20	1 x 1 5/8	£10.07
MBT20/MJ16	1 1/4 x 1 5/16	£10.07
MBT20/MJ20	1 1/4 x 1 5/8	£10.07
MBT20/MJ24	1 1/4 x 1 7/8	£24.83
MBT24/MJ20	1 1/2 x 1 5/8	£23.40
MBT24/MJ24	1 1/2 x 1 7/8	£21.80
MBT32/MJ24	2 x 1 7/8	£38.29
MBT32/MJ32	2 x 2 1/2	£38.29

NPTF Male x NPTF Male

CODE	DESCRIPTION	PRICE
MN2	1/8 x 1/8	£0.89
MN2/MN4	1/8 x 1/4	£0.76
MN2/MN6	1/8 x 3/8	£1.73
MN2/MN8	1/8 x 1/2	£2.12
MN4	1/4 x 1/4	£0.76
MN4/MN6	1/4 x 3/8	£1.01
MN4/MN8	1/4 x 1/2	£1.62
MN4/MN12	1/4 x 3/4	£4.24

COMET FLUID POWER ADAPTORS PRICE LIST

CODE	DESCRIPTION	PRICE
MN4/MN16	1/4 x 1	£6.02
MN6	3/8 x 3/8	£1.01
MN6/MN16	3/8 x 1	£18.25
MN6/MN8	3/8 x 1/2	£1.65
MN6/MN12	3/8 x 3/4	£3.71
MN8	1/2 x 1/2	£1.09
MN8/MN12	1/2 x 3/4	£2.62
MN8/MN16	1/2 x 1	£3.35
MN8/MN20	1/2 x 1 1/4	£10.40
MN8/MN24	1/2 x 1 1/2	£13.66
MN12	3/4 x 3/4	£1.67
MN12/MN16	3/4 x 1	£3.11
MN12/MN20	3/4 x 1 1/4	£9.77
MN12/MN24	3/4 x 1 1/2	£11.11
MN16	1 x 1	£2.27
MN16/MN20	1 x 1 1/4	£8.01
MN16/MN24	1 x 1 1/2	£10.56
MN16/MN32	1 x 2	£37.13
MN20	1 1/4 x 1 1/4	£6.03
MN20/MN24	1 1/4 x 1 1/2	£10.56
MN20/MN32	1 1/4 x 2	£15.85
MN24	1 1/2 x 1 1/2	£10.02
MN24/MN32	1 1/2 x 2	£14.85
MN32	2 x 2	£13.18
MN32/MN40	2 x 2 1/2	£95.77
MN32/MN48	2 x 3	£92.07
MN40	2 1/2 x 2 1/2	£89.38
MN40/MN48	2 1/2 x 3	£92.91
MN48	3 x 3	£83.96
MN64	4 x 4	£101.13

BSP Male x JIC Male

CODE	DESCRIPTION	PRICE
MB2/MJ3	1/8 x 3/8	£1.93
MB2/MJ4	1/8 x 7/16	£0.96
MB2/MJ5	1/8 x 1/2	£0.96
MB2/MJ6	1/8 x 9/16	£1.08
MB4/MJ2	1/4 x 5/16	£2.62
MB4/MJ3	1/4 x 3/8	£5.83
MB4/MJ4	1/4 x 7/16	£0.43
MB4/MJ5	1/4 x 1/2	£0.84

CODE	DESCRIPTION	PRICE
MB4/MJ6	1/4 x 9/16	£0.47
MB4/MJ8	1/4 x 3/4	£1.24
MB4/MJ10	1/4 x 7/8	£1.93
MB4/MJ12	1/4 x 1 1/16	£4.00
MB4/MJ14	1/4 x 1 3/16	£5.22
MB4/MJ16	1/4 x 1 5/16	£4.28
MB6/MJ4	3/8 x 7/16	£0.53
MB6/MJ5	3/8 x 1/2	£0.84
MB6/MJ6	3/8 x 9/16	£0.49
MB6/MJ7	3/8 x 5/8 (45° cone)	£2.82
MB6/MJ8	3/8 x 3/4	£0.57
MB6/MJ10	3/8 x 7/8	£1.24
MB6/MJ12	3/8 x 1 1/16	£1.93
MB6/MJ16	3/8 x 1 5/16	£3.35
MB8/MJ4	1/2 x 7/16	£1.24
MB8/MJ5	1/2 x 1/2	£1.38
MB8/MJ6	1/2 x 9/16	£0.61
MB8/MJ8	1/2 x 3/4	£0.61
MB8/MJ10	1/2 x 7/8	£0.70
MB8/MJ12	1/2 x 1 1/16	£1.50
MB8/MJ14	1/2 x 1 3/16	£6.87
MB8/MJ16	1/2 x 1 5/16	£3.02
MB10/MJ6	5/8 x 9/16	£1.98
MB10/MJ8	5/8 x 3/4	£1.93
MB10/MJ10	5/8 x 7/8	£1.93
MB10/MJ12	5/8 x 1 1/16	£1.98
MB10/MJ14	5/8 x 1 3/16	£3.27
MB10/MJ16	5/8 x 1 5/16	£3.02
MB12/MJ4	3/4 x 7/16	£2.35
MB12/MJ5	3/4 x 1/2	£1.93
MB12/MJ6	3/4 x 9/16	£1.93
MB12/MJ8	3/4 x 3/4	£1.03
MB12/MJ10	3/4 x 7/8	£1.16
MB12/MJ12	3/4 x 1 1/16	£0.96
MB12/MJ14	3/4 x 1 3/16	£2.20
MB12/MJ16	3/4 x 1 5/16	£2.32
MB12/MJ20	3/4 x 1 5/8	£8.19
MB12/MJ24	3/4 x 1 7/8	£11.42
MB16/MJ6	1 x 9/16	£5.45
MB16/MJ8	1 x 3/4	£3.29
MB16/MJ10	1 x 7/8	£2.07

COMET FLUID POWER ADAPTORS PRICE LIST

CODE	DESCRIPTION	PRICE
MB16/MJ12	1 x 1 1/6	£2.62
MB16/MJ14	1 x 1 3/16	£2.85
MB16/MJ16	1 x 1 5/16	£2.05
MB16/MJ20	1 x 1 5/8	£7.95
MB16/MJ24	1 x 1 7/8	£10.67
MB16/MJ32	1 x 2 1/2	£24.29
MB20/MJ12	1 1/4 x 1 1/16	£8.10
MB20/MJ16	1 1/4 x 1 5/16	£6.87
MB20/MJ20	1 1/4 x 1 5/8	£4.12
MB20/MJ24	1 1/4 x 1 7/8	£9.64
MB20/MJ32	1 1/4 x 2 1/2	£22.77
MB24/MJ12	1 1/2 x 1 1/6	£9.94
MB24/MJ16	1 1/2 x 1 5/16	£10.11
MB24/MJ20	1 1/2 x 1 5/8	£9.91
MB24/MJ24	1 1/2 x 1 7/8	£10.11
MB24/MJ32	1 1/2 x 2 1/2	£18.91
MB32/MJ16	2 x 1 5/16	£21.17
MB32/MJ20	2 x 1 5/8	£20.88
MB32/MJ24	2 x 1 7/8	£16.17
MB32/MJ32	2 x 2 1/2	£15.08

BSP Male x NPTF Male

CODE	DESCRIPTION	PRICE
MB2/MN2	1/8 x 1/8	£0.70
MB2/MN4	1/8 x 1/4	£1.32
MB2/MN6	1/8 x 3/8	£1.42
MB2/MN8	1/8 x 1/2	£1.50
MB4/MN2	1/4 x 1/8	£0.96
MB4/MN4	1/4 x 1/4	£0.38
MB4/MN6	1/4 x 3/8	£0.42
MB4/MN8	1/4 x 1/2	£1.50
MB4/MN12	1/4 x 3/4	£2.47
MB4/MN16	1/4 x 1	£6.02
MB6/MN2	3/8 x 1/8	£1.16
MB6/MN4	3/8 x 1/4	£0.53
MB6/MN6	3/8 x 3/8	£0.49
MB6/MN8	3/8 x 1/2	£1.08
MB6/MN12	3/8 x 3/4	£2.08
MB6/MN16	3/8 x 1	£4.24
MB8/MN2	1/2 x 1/8	£1.80
MB8/MN4	1/2 x 1/4	£1.38

CODE	DESCRIPTION	PRICE
MB8/MN6	1/2 x 3/8	£0.65
MB8/MN8	1/2 x 1/2	£0.61
MB8/MN12	1/2 x 3/4	£1.77
MB8/MN16	1/2 x 1	£3.29
MB10/MN6	5/8 x 3/8	£2.27
MB10/MN8	5/8 x 1/2	£2.27
MB10/MN12	5/8 x 3/4	£2.85
MB12/MN4	3/4 x 1/4	£2.20
MB12/MN6	3/4 x 3/8	£2.13
MB12/MN8	3/4 x 1/2	£2.05
MB12/MN12	3/4 x 3/4	£0.97
MB12/MN16	3/4 x 1	£2.08
MB12/MN20	3/4 x 1 1/4	£6.56
MB12/MN24	3/4 x 1 1/2	£26.12
MB12/MN32	3/4 x 2	£28.00
MB16/MN4	1 x 1/4	£5.62
MB16/MN6	1 x 3/8	£4.04
MB16/MN8	1 x 1/2	£3.15
MB16/MN12	1 x 3/4	£2.85
MB16/MN16	1 x 1	£1.77
MB16/MN20	1 x 1 1/4	£6.56
MB16/MN24	1 x 1 1/2	£7.38
MB16/MN32	1 x 2	£15.08
MB20/MN12	1 1/4 x 3/4	£6.17
MB20/MN16	1 1/4 x 1	£6.56
MB20/MN20	1 1/4 x 1 1/4	£5.36
MB20/MN24	1 1/4 x 1 1/2	£7.38
MB20/MN32	1 1/4 x 2	£15.08
MB24/MN12	1 1/2 x 3/4	£14.62
MB24/MN16	1 1/2 x 1	£7.38
MB24/MN20	1 1/2 x 1 1/4	£7.38
MB24/MN24	1 1/2 x 1 1/2	£7.95
MB24/MN32	1 1/2 x 2	£15.08
MB32/MN16	2 x 1	£16.71
MB32/MN20	2 x 1 1/4	£15.08
MB32/MN24	2 x 1 1/2	£15.08
MB32/MN32	2 x 2	£11.54
MB32/MN40	2 x 2 1/2	£77.46
MB32/MN48	2 x 3	£81.49
MB40/MN32	2 1/2 x 2	£66.24
MB40/MN40	2 1/2 x 2 1/2	£77.46

COMET FLUID POWER ADAPTORS PRICE LIST

CODE	DESCRIPTION	PRICE
MB40/MN48	2 1/2 x 3	£81.50
MB48/MN32	3 x 2	£83.97
MB48/MN40	3 x 2 1/2	£83.97
MB48/MN48	3 x 3	£81.49
MB64/MN64	4 x 4	£101.13

NPTF Male x JIC Male

CODE	DESCRIPTION	PRICE
MN2/MJ3	1/8 x 3/8	£2.17
MN2/MJ4	1/8 x 7/16	£0.53
MN2/MJ5	1/8 x 1/2	£0.58
MN2/MJ6	1/8 x 9/16	£0.92
MN2/MJ8	1/8 x 3/4	£1.62
MN4/MJ3	1/4 x 3/8	£2.27
MN4/MJ4	1/4 x 7/16	£0.35
MN4/MJ5	1/4 x 1/2	£0.62
MN4/MJ6	1/4 x 9/16	£0.50
MN4/MJ7	1/4 x 5/8 (SAE 45° cone)	£1.08
MN4/MJ8	1/4 x 3/4	£0.92
MN4/MJ10	1/4 x 7/8	£1.82
MN4/MJ12	1/4 x 1 1/16	£6.40
MN4/MJ16	1/4 x 1 5/16	£6.56
MN6/MJ4	3/8 x 7/16	£0.57
MN6/MJ5	3/8 x 1/2	£1.08
MN6/MJ6	3/8 x 9/16	£0.54
MN6/MJ7	3/8 x 5/8	£1.39
MN6/MJ8	3/8 x 3/4	£0.81
MN6/MJ10	3/8 x 7/8	£0.95
MN6/MJ12	3/8 x 1 1/16	£2.32
MN6/MJ16	3/8 x 1 5/16	£8.51
MN8/MJ4	1/2 x 7/16	£1.93
MN8/MJ5	1/2 x 1/2	£2.20
MN8/MJ6	1/2 x 9/16	£0.84
MN8/MJ8	1/2 x 3/4	£0.53
MN8/MJ10	1/2 x 7/8	£0.92
MN8/MJ12	1/2 x 1 1/16	£1.58
MN8/MJ16	1/2 x 1 5/16	£2.85
MN12/MJ4	3/4 x 7/16	£3.29
MN12/MJ6	3/4 x 9/16	£2.32
MN12/MJ8	3/4 x 3/4	£1.69
MN12/MJ10	3/4 x 7/8	£1.73

CODE	DESCRIPTION	PRICE
MN12/MJ12	3/4 x 1 1/16	£1.59
MN12/MJ16	3/4 x 1 5/16	£2.32
MN12/MJ20	3/4 x 1 5/8	£8.95
MN16/MJ8	1 x 3/4	£3.52
MN16/MJ10	1 x 7/8	£3.52
MN16/MJ12	1 x 1 1/16	£2.30
MN16/MJ16	1 x 1 5/16	£2.17
MN16/MJ20	1 x 1 5/8	£7.68
MN16/MJ24	1 x 1 7/8	£12.34
MN20/MJ12	1 1/4 x 1 1/16	£7.68
MN20/MJ16	1 1/4 x 1 5/16	£7.68
MN20/MJ20	1 1/4 x 1 5/8	£3.85
MN20/MJ24	1 1/4 x 1 7/8	£12.34
MN20/MJ32	1 1/4 x 2 1/2	£21.68
MN24/MJ12	1 1/2 x 1 1/16	£12.34
MN24/MJ16	1 1/2 x 1 5/16	£12.34
MN24/MJ20	1 1/2 x 1 5/8	£9.09
MN24/MJ24	1 1/2 x 1 7/8	£7.22
MN24/MJ32	1 1/2 x 2 1/2	£21.68
MN32/MJ20	2 x 1 5/8	£20.44
MN32/MJ24	2 x 1 7/8	£18.06

JIC Male x JIC Male

CODE	DESCRIPTION	PRICE
MJ2	5/16 x 5/16	£2.93
MJ2/MJ4	5/16 x 7/16	£1.23
MJ3	3/8 x 3/8	£2.32
MJ3/MJ4	3/8 x 7/16	£1.49
MJ4	7/16 x 7/16	£0.42
MJ4/MJ5	7/16 x 1/2	£1.01
MJ4/MJ6	7/16 x 9/16	£0.82
MJ4/MJ8	7/16 x 3/4	£1.73
MJ4/MJ10	7/16 x 7/8	£1.77
MJ5	1/2 x 1/2	£0.84
MJ5/MJ6	1/2 x 9/16	£1.08
MJ5/MJ8	1/2 x 9/16	£1.93
MJ5/MJ10	1/2 x 7/8	£2.47
MJ5/MJ12	1/2 x 1 1/16	£3.11
MJ6	9/16 x 9/16	£0.45
MJ6/MJ8	9/16 x 3/4	£0.97
MJ6/MJ10	9/16 x 7/8	£1.65

COMET FLUID POWER ADAPTORS PRICE LIST

CODE	DESCRIPTION	PRICE
MJ6/MJ12	9/16 x 1 1/16	£2.62
MJ6/MJ14	9/16 x 1 3/16	£3.62
MJ7	5/8 x 5/8 (SAE 45° Cone)	£1.82
MJ8	3/4 x 3/4	£0.53
MJ8/MJ10	3/4 x 7/8	£0.97
MJ8/MJ12	3/4 x 1 1/16	£1.84
MJ8/MJ16	3/4 x 1 5/16	£3.12
MJ8/MJ20	3/4 x 1 5/8	£9.40
MJ10	7/8 x 7/8	£0.70
MJ10/MJ12	7/8 x 1 1/16	£1.94
MJ10/MJ14	7/8 x 1 3/16	£3.12
MJ10/MJ16	7/8 x 1 5/16	£2.85
MJ12	1 1/16 x 1 1/16	£0.82
MJ12/MJ14	1 1/16 x 1 3/16	£2.85
MJ12/MJ16	1 1/16 x 1 5/16	£2.70
MJ12/MJ20	1 1/16 x 1 5/8	£8.14
MJ12/MJ24	1 1/16 x 1 7/8	£8.68
MJ14	1 3/16 x 1 3/16	£3.05
MJ14/MJ16	1 3/16 x 1 5/16	£3.05
MJ16	1 5/16 x 1 5/16	£2.47
MJ16/MJ20	1 5/16 x 1 5/8	£6.76
MJ16/MJ24	1 5/16 x 1 7/8	£7.06
MJ20	1 5/8 x 1 5/8	£5.36
MJ20/MJ24	1 5/8 x 1 7/8	£7.06
MJ24	1 7/8 x 1 7/8	£6.87
MJ24/MJ32	1 7/8 x 2 1/2	£19.51
MJ32	2 1/2 x 2 1/2	£14.23

JIC Bulkheads c/w Locknut

CODE	DESCRIPTION	PRICE
BH/MJ3	3/8"	£5.35
BH/MJ4	7/16"	£1.49
BH/MJ5	1/2"	£2.47
BH/MJ6	9/16"	£1.58
BH/MJ8	3/4"	£1.65
BH/MJ10	7/8"	£2.05
BH/MJ12	1 1/16"	£3.25
BH/MJ14	1 3/16"	£12.74
BH/MJ16	1 5/16"	£5.29
BH/MJ20	1 5/8"	£14.58
BH/MJ24	1 7/8"	£24.11
BH/MJ32	2 1/2"	£48.78

BSP Male x UNF Male c/w 'O' Ring c/w 'O' Ring unless marked*

CODE	DESCRIPTION	PRICE
MB2/MU2	1/8 x 5/16*	£2.63
MB2/MU4	1/8 x 7/16	£1.16
MB4/MU1	1/4 x 1/4*	£4.63
MB4/MU3	1/4 x 3/8*	£2.30
MB4/MU4	1/4 x 7/16	£0.46
MB4/MU5	1/4 x 1/2	£0.46
MB4/MU6	1/4 x 9/16	£0.59
MB4/MU7	1/4 x 5/8	£1.62
MB4/MU8	1/4 x 3/4	£1.30
MB4/MU10	1/4 x 7/8	£1.43
MB6/MU3	3/8 x 3/8*	£2.57
MB6/MU4	3/8 x 7/16	£0.59
MB6/MU5	3/8 x 1/2	£1.04
MB6/MU6	3/8 x 9/16	£0.59
MB6/MU7	3/8 x 5/8	£1.51
MB6/MU8	3/8 x 3/4	£0.70
MB6/MU10	3/8 x 7/8	£1.65
MB6/MU12	3/8 x 1 1/16	£2.27
MB8/MU4	1/2 x 7/16	£1.32
MB8/MU5	1/2 x 1/2	£1.49
MB8/MU6	1/2 x 9/16	£0.69
MB8/MU7	1/2 x 5/8	£1.51
MB8/MU8	1/2 x 3/4	£0.73
MB8/MU10	1/2 x 7/8	£0.80
MB8/MU12	1/2 x 1 1/16	£1.93
MB8/MU16	1/2 x 1 5/16	£3.44
MB10/MU8	5/8 x 3/4	£1.65
MB10/MU10	5/8 x 7/8	£1.50
MB10/MU12	5/8 x 1 1/16	£2.12
MB12/MU8	3/4 x 3/4	£1.86
MB12/MU10	3/4 x 7/8	£2.12
MB12/MU12	3/4 x 1 1/16	£1.08
MB12/MU14	3/4 x 1 3/16	£8.78
MB12/MU16	3/4 x 1 5/16	£3.15
MB12/MU20	3/4 x 1 5/8	£9.42
MB16/MU10	1 x 7/8	£3.15
MB16/MU12	1 x 1 1/16	£3.15
MB16/MU16	1 x 1 5/16	£1.98
MB16/MU20	1 x 1 5/8	£7.14

COMET FLUID POWER ADAPTORS PRICE LIST

CODE	DESCRIPTION	PRICE
MB20/MU12	1 1/4 x 1 1/16	£7.76
MB20/MU16	1 1/4 x 1 5/16	£7.13
MB20/MU20	1 1/4 x 1 5/8	£7.13
MB20/MU24	1 1/4 x 1 7/8	£11.48
MB24/MU16	1 1/2 x 1 5/16	£9.13
MB24/MU20	1 1/2 x 1 5/8	£10.89
MB24/MU24	1 1/2 x 1 7/8	£10.34

BSP Male x Metric Male All 1.5 Pitch

CODE	DESCRIPTION	PRICE
MB2/MM10	1/8 x 10mm	£9.38
MB2/MM12	1/8 x 12mm	£1.32
MB2/MM14	1/4 x 14mm	£1.51
MB4/MM10	1/4 x 10mm	£1.32
MB4/MM12	1/4 x 12mm	£0.54
MB4/MM14	1/4 x 14mm	£0.54
MB4/MM16	1/4 x 16mm	£0.61
MB4/MM18	1/4 x 18mm	£1.47
MB4/MM20	1/4 x 20mm	£1.61
MB4/MM22	1/4 x 22mm	£1.62
MB4/MM24	1/4 x 24mm	£2.19
MB6/MM12	3/8 x 12mm	£1.24
MB6/MM14	3/8 x 14mm	£0.66
MB6/MM16	3/8 x 16mm	£0.61
MB6/MM18	3/8 x 18mm	£0.58
MB6/MM20	3/8 x 20mm	£1.50
MB6/MM22	3/8 x 22mm	£0.99
MB6/MM24	3/8 x 24mm	£2.08
MB6/MM26	3/8 x 26mm	£2.89
MB6/MM30	3/8 x 30mm	£4.74
MB8/MM12	1/2 x 12mm	£1.50
MB8/MM14	1/2 x 14mm	£1.50
MB8/MM16	1/2 x 16mm	£0.68
MB8/MM18	1/2 x 18mm	£0.65
MB8/MM20	1/2 x 20mm	£0.70
MB8/MM22	1/2 x 22mm	£0.65
MB8/MM24	1/2 x 24mm	£1.65
MB8/MM26	1/2 x 26mm	£1.82
MB10/MM14	5/8 x 14mm	£1.70
MB10/MM16	5/8 x 16mm	£1.86
MB10/MM18	5/8 x 18mm	£1.62

CODE	DESCRIPTION	PRICE
MB10/MM22	5/8 x 22mm	£1.93
MB10/MM26	5/8 x 26mm	£2.40
MB12/MM16	3/4 x 16mm	£2.05
MB12/MM18	3/4 x 18mm	£1.97
MB12/MM20	3/4 x 20mm	£1.65
MB12/MM22	3/4 x 22mm	£1.77
MB12/MM24	3/4 x 24mm	£2.20
MB12/MM26	3/4 x 26mm	£1.65
MB12/MM30	3/4 x 30mm	£3.58
MB16/MM18	1 x 18mm	£4.58
MB16/MM22	1 x 22mm	£3.63
MB16/MM26	1 x 26mm	£3.89
MB16/MM28	1 x 28mm	£11.14
MB16/MM30	1 x 30mm	£3.58
MB16/MM36	1 x 36mm	£6.10
MB16/MM38	1 x 38mm	£7.30
MB20/MM26	1 1/4 x 26mm	£12.53
MB20/MM30	1 1/4 x 30mm	£7.14
MB20/MM38	1 1/4 x 38mm	£7.28
MB24/MM38	1 1/2 x 38mm	£9.81
MB24/MM45	1 1/2 x 45mm	£9.81
MB32/MM45	2 x 45mm	£11.91
MB32/MM52	2 x 52mm	£11.91

BSP Male x Metric Male

Other Pitch Sizes

CODE	DESCRIPTION	PRICE
MB2/MM8/1.0	1/8 x 8mm x 1.0	£2.63
MB2/MM10/1.0	1/8 x 10mm x 1.0	£1.32
MB2/MM12/1.0	1/8 x 12mm x 1.0	£1.32
MB4/MM10/1.0	1/4 x 10mm x 1.0	£1.32
MB4/MM10/1.25	1/4 x 10mm x 1.25	£5.22
MB4/MM12/1.0	1/4 x 12mm x 1.0	£1.32
MB4/MM14/1.0	1/4 x 14mm x 1.0	£2.63
MB8/MM27	1/2 x 27mm x 2.0	£4.86
MB12/MM27	3/4 x 27mm x 2.0	£5.27
MB12/MM33	3/4 x 33mm x 2.0	£5.72
MB16/MM33	1 x 33mm x 2.0 (Special order)	£12.02

COMET FLUID POWER ADAPTORS PRICE LIST

Metric Male x Metric Male

All 1.5 Pitch & with 60° Cones

CODE	DESCRIPTION	PRICE
MM10	10mm x 10mm	£1.08
MM10/MM12	10mm x 12mm	£1.24
MM10/MM14	10mm x 14mm	£1.24
MM10/MM16	10mm x 16mm	£1.50
MM12	12mm x 12mm	£1.08
MM12/MM14	12mm x 14mm	£1.08
MM12/MM16	12mm x 16mm	£1.50
MM12/MM18	12mm x 18mm	£1.85
MM14	14mm x 14mm	£1.08
MM14/MM16	14mm x 16mm	£1.38
MM14/MM18	14mm x 18mm	£1.65
MM14/MM20	14mm x 20mm	£1.97
MM14/MM22	14mm x 22mm	£2.08
MM16	16mm x 16mm	£1.24
MM16/MM18	16mm x 18mm	£1.38
MM16/MM20	16mm x 20mm	£1.65
MM16/MM22	16mm x 22mm	£1.50
MM16/MM26	16mm x 26mm	£1.77
MM18	18mm x 18mm	£1.38
MM18/MM20	18mm x 20mm	£1.50
MM18/MM22	18mm x 22mm	£1.50
MM18/MM24	18mm x 24mm	£2.27
MM18/MM26	18mm x 26mm	£1.77
MM18/MM30	18mm x 30mm	£3.98
MM20	20mm x 20mm	£1.38
MM20/MM22	20mm x 22mm	£1.50
MM20/MM24	20mm x 22mm	£2.13
MM20/MM26	20mm x 26mm	£2.50
MM22	22mm x 22mm	£1.50
MM22/MM24	22mm x 24mm	£1.84
MM22/MM26	22mm x 26mm	£1.97
MM22/MM30	22mm x 30mm	£3.89
MM24	24mm x 24mm	£1.84
MM24/MM26	24mm x 26mm	£2.20
MM26	26mm x 26mm	£1.84
MM30	30mm x 30mm	£3.79
MM30/MM38	30mm x 38mm	£8.34
MM38	38mm x 38mm	£8.34

Metric Bulkheads c/w Locknut

All 1.5 Pitch & With 60° Cones

CODE	DESCRIPTION	PRICE
BH/MM12	12mm	£3.15
BH/MM14	14mm	£3.15
BH/MM16	16mm	£3.35
BH/MM18	18mm	£3.78
BH/MM20	20mm	£4.19
BH/MM22	22mm	£4.48
BH/MM24	24mm	£5.54

Metric Male x JIC Male

Metric All 1.5 Pitch & 60° Cone

CODE	DESCRIPTION	PRICE
MM12/MJ4	12mm x 7/16	£2.13
MM12/MJ6	12mm x 9/16	£1.93
MM12/MJ8	12mm x 3/4	£2.27
MM14/MJ4	14mm x 7/16	£1.98
MM14/MJ6	14mm x 9/16	£2.13
MM14/MJ8	14mm x 3/4	£2.27
MM14/MJ10	14mm x 7/8	£7.67
MM16/MJ4	16mm x 7/16	£1.78
MM16/MJ6	16mm x 9/16	£1.78
MM16/MJ8	16mm x 3/4	£1.93
MM16/MJ10	16mm x 7/8	£2.30
MM16/MJ12	16mm x 1 1/16	£2.39
MM18/MJ4	18mm x 7/16	£2.34
MM18/MJ6	18mm x 9/16	£1.93
MM18/MJ8	18mm x 3/4	£1.93
MM18/MJ10	18mm x 7/8	£2.05
MM18/MJ12	18mm x 1 1/16	£2.39
MM20/MJ6	20mm x 9/16	£1.93
MM20/MJ8	20mm x 3/4	£1.93
MM20/MJ10	20mm x 7/8	£2.30
MM20/MJ12	20mm x 1 1/16	£3.36
MM22/MJ6	22mm x 9/16	£2.05
MM22/MJ8	22mm x 3/4	£2.05
MM22/MJ10	22mm x 7/8	£2.05
MM22/MJ12	22mm x 1 1/16	£2.39
MM24/MJ8	24mm x 3/4	£2.28
MM24/MJ12	24mm x 1 1/16	£2.39
MM26/MJ10	26mm x 7/8	£2.39
MM26/MJ12	26mm x 1 1/16	£2.67

COMET FLUID POWER ADAPTORS PRICE LIST

BSP Male x BSP Female Swivel

CODE	MALE	FEMALE	PRICE
MB2/FB2	1/8 x 1/8	£1.38	
MB2/FB4	1/8 x 1/4	£1.38	
MB2/FB6	1/8 x 3/8	£1.42	
MB4/FB2	1/4 x 1/8	£1.38	
MB4/FB4	1/4 x 1/4	£0.62	
MB4/FB6	1/4 x 3/8	£0.74	
MB4/FB8	1/4 x 1/2	£0.97	
MB4/FB12	1/4 x 3/4	£3.63	
MB6/FB2	3/8 x 1/8	£1.58	
MB6/FB4	3/8 x 1/4	£0.74	
MB6/FB6	3/8 x 3/8	£0.80	
MB6/FB8	3/8 x 1/2	£0.95	
MB6/FB10	3/8 x 5/8	£3.15	
MB6/FB12	3/8 x 3/4	£3.15	
MB6/FB16	3/8 x 1	£3.92	
MB8/FB4	1/2 x 1/4	£0.90	
MB8/FB6	1/2 x 3/8	£0.84	
MB8/FB8	1/2 x 1/2	£1.05	
MB8/FB10	1/2 x 5/8	£1.77	
MB8/FB12	1/2 x 3/4	£1.44	
MB8/FB16	1/2 x 1	£3.46	
MB10/FB4	5/8 x 1/4	£3.44	
MB10/FB6	5/8 x 3/8	£3.24	
MB10/FB8	5/8 x 1/2	£1.93	
MB10/FB10	5/8 x 5/8	£1.77	
MB10/FB12	5/8 x 3/4	£2.77	
MB10/FB16	5/8 x 1	£4.48	
MB12/FB4	3/4 x 1/4	£3.27	
MB12/FB6	3/4 x 3/8	£3.15	
MB12/FB8	3/4 x 1/2	£1.47	
MB12/FB12	3/4 x 3/4	£1.70	
MB12/FB16	3/4 x 1	£2.32	
MB12/FB20	3/4 x 1 1/4	£8.10	
MB12/FB24	3/4 x 1 1/2	£12.30	
MB16/FB6	1 x 3/8	£4.06	
MB16/FB8	1 x 1/2	£3.36	
MB16/FB10	1 x 3/8	£4.48	
MB16/FB12	1 x 3/4	£2.32	
MB16/FB16	1 x 1	£2.50	
MB16/FB20	1 x 1 1/4	£6.57	

CODE	MALE	FEMALE	PRICE
MB16/FB24	1 x 1 1/2	£12.77	
MB16/FB32	1 x 2	£21.06	
MB20/FB8	1 1/4 x 1/2	£9.05	
MB20/FB12	1 1/4 x 3/4	£7.83	
MB20/FB16	1 1/4 x 1	£5.49	
MB20/FB20	1 1/4 x 1 1/4	£5.56	
MB20/FB24	1 1/4 x 1 1/2	£10.81	
MB20/FB32	1 1/4 x 2	£20.95	
MB24/FB16	1 1/2 x 1	£11.85	
MB24/FB20	1 1/2 x 1 1/4	£10.81	
MB24/FB24	1 1/2 x 1 1/2	£8.65	
MB24/FB32	1 1/2 x 2	£17.81	
MB32/FB20	2 x 1 1/4	£20.95	
MB32/FB24	2 x 1 1/2	£21.41	
MB32/FB32	2 x 2	£14.49	

BSP Male x JIC Swivel Female

CODE	MALE	FEMALE	PRICE
MB2/FJ4	1/8 x 7/16	£1.98	
MB4/FJ4	1/4 x 7/16	£1.77	
MB4/FJ5	1/4 x 1/2	£1.77	
MB4/FJ6	1/4 x 9/16	£1.77	
MB4/FJ8	1/4 x 3/4	£1.81	
MB6/FJ4	3/8 x 7/16	£1.93	
MB6/FJ5	3/8 x 1/2	£1.98	
MB6/FJ6	3/8 x 9/16	£1.93	
MB6/FJ8	3/8 x 3/4	£1.93	
MB6/FJ10	3/8 x 7/8	£2.20	
MB6/FJ12	3/8 x 1 1/16	£7.63	
MB6/FJ16	3/8 x 1 5/16	£8.03	
MB8/FJ4	1/2 x 7/16	£2.20	
MB8/FJ5	1/2 x 1/2	£3.08	
MB8/FJ6	1/2 x 9/16	£1.77	
MB8/FJ8	1/2 x 3/4	£1.93	
MB8/FJ10	1/2 x 7/8	£2.20	
MB8/FJ12	1/2 x 1 1/16	£4.40	
MB8/FJ16	1/2 x 1 5/16	£10.99	
MB10/FJ8	5/8 x 3/4	£2.62	
MB10/FJ10	5/8 x 7/8	£2.62	
MB10/FJ12	5/8 x 1 1/16	£5.48	
MB12/FJ6	3/4 x 9/16	£3.58	

COMET FLUID POWER ADAPTORS PRICE LIST

CODE	MALE	FEMALE	PRICE
MB12/FJ8	3/4 x 3/4	£3.50	
MB12/FJ10	3/4 x 7/8	£4.13	
MB12/FJ12	3/4 x 1 1/16	£4.13	
MB12/FJ14	3/4 x 1 3/16	£5.78	
MB12/FJ16	3/4 x 1 5/16	£6.87	
MB12/FJ20	3/4 x 1 5/8	£15.54	
MB16/FJ12	1 x 1 1/16	£5.36	
MB16/FJ14	1 x 1 3/16	£5.83	
MB16/FJ16	1 x 1 5/16	£6.99	
MB16/FJ20	1 x 1 5/8	£12.12	
MB20/FJ16	1 1/4 x 1 5/16	£11.76	
MB20/FJ20	1 1/4 x 1 5/8	£11.39	
MB20/FJ24	1 1/4 x 1 7/8	£16.09	
MB24/FJ20	1 1/2 x 1 5/8	£17.20	
MB24/FJ24	1 1/2 x 1 7/8	£16.74	
MB32/FJ24	2 x 1 7/8	£22.28	
MB32/FJ32	2 x 2 1/2	£20.87	

BSP Male x Metric Swivel Female

CODE	MALE	FEMALE	PRICE
MB4/FM12	1/4 x 12mm	£1.77	
MB4/FM14	1/4 x 14mm	£1.93	
MB4/FM16	1/4 x 16mm	£2.25	
MB4/FM18	1/4 x 18mm	£2.85	
MB6/FM12	3/8 x 12mm	£2.52	
MB6/FM14	3/8 x 14mm	£2.47	
MB6/FM16	3/8 x 16mm	£2.47	
MB6/FM18	3/8 x 18mm	£2.47	
MB6/FM20	3/8 x 20mm	£2.77	
MB6/FM22	3/8 x 22mm	£2.77	
MB8/FM14	1/2 x 14mm	£2.67	
MB8/FM16	1/2 x 16mm	£2.47	
MB8/FM18	1/2 x 18mm	£2.77	
MB8/FM20	1/2 x 20mm	£2.77	
MB8/FM22	1/2 x 22mm	£2.77	
MB8/FM24	1/2 x 24mm	£3.66	
MB8/FM26	1/2 x 26mm	£7.65	
MB10/FM22	5/8 x 22mm	£3.58	
MB12/FM18	3/4 x 18mm	£4.33	

CODE	MALE	FEMALE	PRICE
MB12/FM20	3/4 x 20mm	£4.93	
MB12/FM22	3/4 x 22mm	£3.79	

Metric Male x JIC Swivel Female

Metric; all 1.5 Pitch & 60° Cone

CODE	MALE	FEMALE	PRICE
MM12/FJ5	12mm x 1/2	£1.77	
MM14/FJ6	14mm x 9/16	£1.93	
MM16/FJ6	16mm x 9/16	£2.20	
MM16/FJ8	16mm x 3/4	£2.20	
MM16/FJ10	16mm x 7/8	£2.32	
MM18/FJ6	18mm x 9/16	£2.20	
MM18/FJ8	18mm x 3/4	£2.20	
MM18/FJ10	18mm x 7/8	£2.32	
MM20/FJ6	20mm x 9/16	£6.28	
MM20/FJ8	20mm x 3/4	£2.32	
MM20/FJ10	20mm x 7/8	£2.32	
MM22/FJ6	22mm x 9/16	£5.00	
MM22/FJ8	22mm x 3/4	£2.47	

Metric Male x Female Swivel

Male 60° cone & spherical cone seat female

CODE	MALE	FEMALE	PRICE
MM12/FM12	12mm x 12mm	£1.77	
MM14/FM14	14mm x 14mm	£1.93	
MM16/FM16	16mm x 16mm	£2.20	
MM16/FM18	16mm x 18mm	£2.32	
MM18/FM16	18mm x 16mm	£2.32	
MM18/FM18	18mm x 18mm	£2.32	
MM18/FM20	18mm x 20mm	£2.47	
MM18/FM22	18mm x 22mm	£2.47	
MM20/FM18	20mm x 18mm	£2.62	
MM20/FM20	20mm x 20mm	£2.62	
MM20/FM22	20mm x 22mm	£2.85	
MM22/FM20	22mm x 20mm	£2.85	
MM22/FM22	22mm x 22mm	£2.85	

COMET FLUID POWER ADAPTORS PRICE LIST

BSP Taper Male x BSP Swivel Female

CODE	MALE	FEMALE	PRICE
MBT2/FB2	1/8 x 1/8		£1.81
MBT4/FB4	1/4 x 1/4		£1.77
MBT6/FB4	3/8 x 1/4		£2.85
MBT6/FB6	3/8 x 3/8		£1.77
MBT6/FB8	3/8 x 1/2		£2.85
MBT8/FB6	1/2 x 3/8		£2.63
MBT8/FB8	1/2 x 1/2		£2.32
MBT10/FB10	5/8 x 5/8		£3.46
MBT12/FB8	3/4 x 1/2		£3.29
MBT12/FB12	3/4 x 3/4		£3.29
MBT16/FB12	1 x 3/4		£5.36
MBT16/FB16	1 x 1		£5.21
MBT20/FB20	1 1/4 x 1 1/4		£13.22
MBT24/FB24	1 1/2 x 1 1/2		£20.78
MBT32/FB24	2 x 1 1/2		£26.30
MBT32/FB32	2 x 2		£26.30

NPTF Male x JIC Swivel Female

CODE	MALE	FEMALE	PRICE
MN2/FJ4	1/8 x 7/16		£2.05
MN4/FJ4	1/4 x 7/16		£2.34
MN4/FJ5	1/4 x 1/2		£2.34
MN4/FJ6	1/4 x 9/16		£2.39
MN6/FJ6	3/8 x 9/16		£2.13
MN6/FJ8	3/8 x 3/4		£2.30
MN8/FJ8	1/2 x 3/4		£2.71
MN8/FJ10	1/2 x 7/8		£2.63
MN12/FJ12	3/4 x 1 1/16		£2.89
MN16/FJ16	1 x 1 5/16		£3.25
MN20/FJ20	1 1/4 x 1 5/8		£21.74

NPTF Male x BSP Swivel Female

CODE	MALE	FEMALE	PRICE
MN2/FB2	1/8 x 1/8		£1.74
MN4/FB4	1/4 x 1/4		£1.93
MN6/FB4	3/8 x 1/4		£2.09
MN6/FB6	3/8 x 3/8		£1.93
MN6/FB8	3/8 x 1/2		£3.15

CODE	MALE	FEMALE	PRICE
MN8/FB6	1/2 x 3/8		£2.62
MN8/FB8	1/2 x 1/2		£2.47
MN12/FB8	3/4 x 1/2		£4.13
MN12/FB12	3/4 x 3/4		£4.13
MN16/FB12	1 x 3/4		£4.91
MN16/FB16	1 x 1		£4.82
MN20/FB20	1 1/4 x 1 1/4		£31.05
MN24/FB20	1 1/2 x 1 1/4		£32.97
MN32/FB32	2 1/2 x 2		£35.84

JIC Male x JIC Swivel Female

CODE	MALE	FEMALE	PRICE
MJ4/FJ4	7/16 x 7/16		£1.49
MJ4/FJ6	7/16 x 9/16		£1.50
MJ4/FJ8	7/16 x 3/4		£2.55
MJ4/FJ10	7/16 x 7/8		£2.67
MJ5/FJ5	1/2 x 1/2		£1.70
MJ5/FJ6	1/2 x 9/16		£1.57
MJ6/FJ4	9/16 x 7/16		£1.50
MJ6/FJ5	9/16 x 1/2		£2.19
MJ6/FJ6	9/16 x 9/16		£1.50
MJ6/FJ8	9/16 x 3/4		£1.67
MJ6/FJ10	9/16 x 7/8		£2.63
MJ8/FJ6	3/4 x 9/16		£2.23
MJ8/FJ8	3/4 x 3/4		£1.67
MJ8/FJ10	3/4 x 7/8		£1.80
MJ8/FJ12	3/4 x 1 1/16		£2.96
MJ10/FJ8	7/8 x 3/4		£1.89
MJ10/FJ10	7/8 x 7/8		£1.80
MJ10/FJ12	7/8 x 1 1/16		£2.81
MJ12/FJ8	1 1/16 x 3/4		£2.43
MJ12/FJ10	1 1/16 x 7/8		£2.43
MJ12/FJ12	1 1/16 x 1 1/16		£2.63
MJ12/FJ16	1 1/16 x 1 5/16		£6.40
MJ12/FJ20	1 1/16 x 1 5/8		£15.53
MJ14/FJ14	1 3/16 x 1 3/16		£4.78
MJ16/FJ12	1 5/16 x 1 1/16		£4.54
MJ16/FJ16	1 5/16 x 1 5/16		£4.48
MJ16/FJ20	1 5/16 x 1 5/8		£13.12
MJ16/FJ24	1 5/16 x 1 7/8		£16.73
MJ20/FJ16	1 5/8 x 1 5/16		£13.77

COMET FLUID POWER ADAPTORS PRICE LIST

CODE	MALE	FEMALE	PRICE
MJ20/FJ20	1 5/8 x 1 5/8		£12.57
MJ20/FJ24	1 5/8 x 1 7/8		£16.09
MJ24/FJ24	1 7/8 x 1 7/8		£16.09

JIC Male x BSP Swivel Female

CODE	MALE	FEMALE	PRICE
MJ4/FB2	7/16 x 1/8		£1.77
MJ4/FB4	7/16 x 1/4		£1.77
MJ4/FB6	7/16 x 3/8		£2.20
MJ4/FB8	7/16 x 1/2		£2.20
MJ5/FB4	1/2 x 1/4		£1.84
MJ5/FB6	1/2 x 3/8		£2.27
MJ5/FB8	1/2 x 1/2		£3.08
MJ6/FB4	9/16 x 1/4		£1.77
MJ6/FB6	9/16 x 3/8		£1.93
MJ6/FB8	9/16 x 1/2		£1.93
MJ8/FB6	3/4 x 3/8		£1.93
MJ8/FB8	3/4 x 1/2		£2.20
MJ8/FB10	3/4 x 5/8		£2.25
MJ8/FB12	3/4 x 3/4		£3.44
MJ10/FB6	7/8 x 3/8		£2.20
MJ10/FB8	7/8 x 1/2		£2.20
MJ10/FB10	7/8 x 5/8		£3.70
MJ10/FB12	7/8 x 3/4		£3.29
MJ12/FB8	1 1/16 x 1/2		£5.06
MJ12/FB12	1 1/16 x 3/4		£3.29
MJ12/FB16	1 1/16 x 1		£5.09
MJ16/FB12	1 5/16 x 3/4		£5.41
MJ16/FB16	1 5/16 x 1		£5.09
MJ20/FB20	1 5/8 x 1 1/4		£12.15

JIC Male x Metric Swivel Female

Metric female are spherical cone seat

CODE	MALE	FEMALE	PRICE
MJ4/FM12	7/16 x 12mm		£2.17
MJ4/FM14	7/16 x 14mm		£2.17
MJ5/FM12	1/2 x 12mm		£1.77
MJ6/FM14	9/16 x 14mm		£1.93
MJ6/FM16	9/16 x 16mm		£2.20
MJ6/FM18	9/16 x 18mm		£2.20
MJ6/FM20	9/16 x 20mm		£2.32

CODE	MALE	FEMALE	PRICE
MJ6/FM22	9/16 x 22mm		£2.47
MJ8/FM16	3/4 x 16mm		£2.47
MJ8/FM18	3/4 x 18mm		£2.20
MJ8/FM20	3/4 x 20mm		£2.32
MJ8/FM22	3/4 x 22mm		£2.47
MJ10/FM20	7/8 x 20mm		£2.32
MJ10/FM22	7/8 x 22mm		£2.62

BSP Male x BSP Fixed Female

Extended Type

CODE	MALE	FEMALE	PRICE
MB2/FFB2	1/8 x 1/8		£1.58
MB2/FFB4	1/8 x 1/4		£1.57
MB2/FFB6	1/8 x 3/8		£3.05
MB4/FFB2	1/4 x 1/8		£1.57
MB4/FFB4	1/4 x 1/4		£0.90
MB4/FFB6	1/4 x 3/8		£1.01
MB4/FFB8	1/4 x 1/2		£1.74
MB4/FFB12	1/4 x 3/4		£5.79
MB6/FFB4	3/8 x 1/4		£1.01
MB6/FFB6	3/8 x 3/8		£1.01
MB6/FFB8	3/8 x 1/2		£1.38
MB6/FFB12	3/8 x 3/4		£3.29
MB6/FFB16	3/8 x 1		£10.04
MB8/FFB6	1/2 x 3/8		£1.38
MB8/FFB8	1/2 x 1/2		£1.50
MB8/FFB20	1/2 x 1 1/14		£15.19
MB10/FFB10	5/8 x 5/8		£6.52
MB8/FFB12	1/2 x 3/4		£1.89
MB8/FFB16	1/2 x 1		£5.58
MB10/FFB8	5/8 x 1/2		£1.65
MB10/FFB12	5/8 x 3/4		£8.21
MB12/FFB8	3/4 x 1/2		£1.47
MB12/FFB10	3/4 x 5/8		£2.27
MB12/FFB12	3/4 x 3/4		£1.47
MB12/FFB16	3/4 x 1		£3.23
MB12/FFB20	3/4 x 1 1/4		£12.97
MB12/FFB24	3/4 x 1 1/2		£15.82
MB16/FFB12	1 x 3/4		£2.69
MB16/FFB16	1 x 1		£2.69
MB16/FFB20	1 x 1 1/4		£14.38
MB16/FFB24	1 x 1 1/2		£15.23

COMET FLUID POWER ADAPTORS PRICE LIST

CODE	MALE	FEMALE	PRICE
MB16/FFB32	1 x 2		£22.40
MB20/FFB20	1 1/4 x 1 1/4		£7.55
MB20/FFB24	1 1/4 x 1 1/2		£15.82
MB20/FFB32	1 1/4 x 2		£20.02
MB24/FFB20	1 1/2 x 1 1/4		£13.64
MB24/FFB24	1 1/2 x 1 1/2		£13.61
MB24/FFB32	1 1/2 x 2		£74.47
MB32/FFB32	2 x 2		£16.31
MB32/FFB40	2 x 2 1/2		£99.00

BSP Male x Fixed Female

Reducing Bush Type

CODE	MALE	FEMALE	PRICE
MB6/FFB2	3/8 x 1/8		£1.71
MB8/FFB2	1/2 x 1/8		£0.90
MB8/FFB4	1/2 x 1/4		£0.92
MB10/FFB4	5/8 x 1/4		£2.08
MB12/FFB2	3/4 x 1/8		£1.98
MB12/FFB4	3/4 x 1/4		£1.84
MB12/FFB6	3/4 x 3/8		£1.27
MB16/FFB4	1 x 1/4		£3.06
MB16/FFB6	1 x 3/8		£2.08
MB16/FFB8	1 x 1/2		£2.82
MB20/FFB12	1 1/4 x 3/4		£4.95
MB20/FFB16	1 1/4 x 1		£4.95
MB20/FFB4	1 1/4 x 1/4		£7.52
MB20/FFB6	1 1/4 x 3/8		£6.72
MB20/FFB8	1 1/4 x 1/2		£7.10
MB24/FFB4	1 1/2 x 1/4		£12.30
MB24/FFB6	1 1/2 x 3/8		£12.14
MB24/FFB8	1 1/2 x 1/2		£12.77
MB24/FFB12	1 1/2 x 3/4		£8.65
MB24/FFB16	1 1/2 x 1		£8.65
MB32/FFB4	2 x 1/4		£15.23
MB32/FFB6	2 x 3/8		£15.47
MB32/FFB8	2 x 1/2		£15.23
MB32/FFB12	2 x 3/4		£15.23
MB32/FFB16	2 x 1		£9.96
MB32/FFB20	2 x 1 1/4		£9.96
MB32/FFB24	2 x 1 1/2		£9.96
MB40/FFB32	2 1/2 x 2		£41.50
MB48/FFB24	3 x 1 1/2		£69.86
MB48/FFB32	3 x 2		£63.11

Gauge Adaptors

CODE	MALE	FEMALE	PRICE
GA/MB2/FFB2	1/8 x 1/8		£4.78
GA/MB2/FFB4	1/8 x 1/4		£4.78
GA/MB2/FFB6	1/8 x 3/8		£5.41
GA/MB4/FFB2	1/4 x 1/8		£3.67
GA/MB4/FFB4	1/4 x 1/4		£1.38
GA/MB4/FFB6	1/4 x 3/8		£3.92
GA/MB4/FFB8	1/2 x 1/2		£5.10
GA/MB6/FFB4	3/8 x 1/4		£4.54
GA/MB6/FFB6	3/8 x 3/8		£1.57
GA/MB6/FFB8	3/8 x 1/2		£5.10
GA/MB8/FFB4	1/2 x 1/4		£5.10
GA/MB8/FFB6	1/2 x 3/8		£5.10
GA/MB8/FFB8	1/2 x 1/2		£1.70
GA/MB12/FFB12	3/4 x 3/4 ***		£3.29

BSP Taper Male x BSP Fixed Female

Extended Type

CODE	DESCRIPTION	PRICE
MBT2/FFB4	1/8 x 1/4	£4.56
MBT4/FFB2	1/4 x 1/8	£2.43
MBT4/FFB4	1/4 x 1/4	£4.17
MBT6/FFB4	3/8 x 1/4	£1.93
MBT6/FFB6	3/8 x 3/8	£4.48
MBT8/FFB8	1/2 x 1/2	£5.75
MBT12/FFB8	3/4 x 1/2	£2.71
MBT16/FFB12	1 x 3/4	£9.69
MBT20/FFB20	1 1/4 x 1 1/4	£28.26
MBT24/FFB24	1 1/2 x 1 1/2	£43.20
MBT32/FFB32	2 x 2	£53.45

BSP Female x Female Swivel

CODE	DESCRIPTION	PRICE
FB2	1/8 x 1/8	£1.38
FB2/FB4	1/8 x 1/4	£1.38
FB2/FB6	1/8 x 3/8	£1.84
FB4	1/4 x 1/4	£0.74
FB4/FB6	1/4 x 3/8	£0.86
FB4/FB8	1/4 x 1/2	£1.93
FB4/FB10	1/4 x 5/8	£2.30

COMET FLUID POWER ADAPTORS PRICE LIST

CODE	DESCRIPTION	PRICE
FB4/FB12	1/4 x 3/4	£3.31
FB4/FB16	1/4 x 1	£4.40
FB6	3/8 x 3/8	£0.86
FB6/FB8	3/8 x 1/2	£1.09
FB6/FB10	3/8 x 3/8	£2.20
FB6/FB12	3/8 x 3/4	£2.85
FB6/FB16	3/8 x 1	£4.40
FB8	1/2 x 1/2	£1.09
FB8/FB10	1/2 x 5/8	£2.05
FB8/FB12	1/2 x 3/4	£1.74
FB8/FB16	1/2 x 1	£4.40
FB10	5/8 x 5/8	£2.08
FB10/FB12	5/8 x 3/4	£2.88
FB10/FB16	5/8 x 1	£4.27
FB12	3/4 x 3/4	£1.88
FB12/FB16	3/4 x 1	£2.81
FB12/FB20	3/4 x 1 1/4	£8.69
FB16	1 x 1	£2.81
FB16/FB20	1 x 1 1/4	£7.38
FB16/FB24	1 x 1 1/2	£13.53
FB20	1 1/4 x 1 1/4	£8.34
FB20/FB24	1 1/4 x 1 1/2	£14.94
FB24	1 1/2 x 1 1/2	£14.94
FB24/FB32	1 1/2 x 2	£25.79
FB32	2 x 2	£25.79

BSP Female x JIC Female

CODE	DESCRIPTION	PRICE
FB4/FJ4	1/4 x 7/16	£2.03
FB4/FJ5	1/4 x 1/2	£2.08
FB4/FJ6	1/4 x 9/16	£2.03
FB6/FJ4	3/8 x 7/16	£2.20
FB6/FJ5	3/8 x 1/2	£2.50
FB6/FJ6	3/8 x 9/16	£2.20
FB6/FJ8	3/8 x 3/4	£2.20
FB6/FJ10	3/8 x 7/8	£2.47
FB8/FJ6	1/2 x 9/16	£2.32
FB8/FJ8	1/2 x 3/4	£2.32
FB8/FJ10	1/2 x 7/8	£2.47
FB8/FJ12	1/2 x 1 1/16	£4.91
FB10/FJ10	5/8 x 7/8	£2.47

CODE	DESCRIPTION	PRICE
FB12/FJ8	3/4 x 3/4	£3.06
FB12/FJ12	3/4 x 1 1/16	£5.36
FB12/FJ14	3/4 x 1 3/16	£6.44
FB12/FJ16	3/4 x 1 5/16	£7.03
FB16/FJ12	1 x 1 1/16	£7.03
FB16/FJ16	1 x 1 5/16	£6.35
FB20/FJ20	1 1/4 x 1 5/8	£10.57
FB24/FJ24	1 1/2 x 1 7/8	£19.33

BSP Female x Metric Female

Spherical cone seat on metric female

CODE	DESCRIPTION	PRICE
FB4/FM12	1/4 x 12mm	£2.08
FB4/FM14	1/4 x 14mm	£2.08
FB6/FM12	3/8 x 12mm	£2.20
FB6/FM14	3/8 x 14mm	£2.20
FB6/FM16	3/8 x 16mm	£2.20
FB6/FM18	3/8 x 18mm	£2.32
FB6/FM20	3/8 x 20mm	£3.05
FB6/FM22	3/8 x 22mm	£3.05
FB8/FM16	1/2 x 16mm	£2.32
FB8/FM18	1/2 x 18mm	£2.32
FB8/FM20	1/2 x 20mm	£3.05
FB8/FM22	1/2 x 22mm	£3.05

JIC Female x Female Swivel

CODE	DESCRIPTION	PRICE
FJ4	7/16 x 7/16	£2.05
FJ4/FJ6	7/16 x 9/16	£2.05
FJ5	1/2 x 1/2	£2.20
FJ5/FJ6	1/2 x 9/16	£2.05
FJ6	9/16 x 9/16	£2.05
FJ6/FJ8	9/16 x 3/4	£2.05
FJ6/FJ10	9/16 x 7/8	£2.85
FJ8	3/4 x 3/4	£2.05
FJ8/FJ10	3/4 x 7/8	£2.47
FJ10	7/8 x 7/8	£2.62
FJ10/FJ12	7/8 x 1 1/16	£4.91
FJ12	1 1/16 x 1 1/16	£4.91
FJ12/FJ16	1 1/16 x 1 5/16	£6.87
FJ14	1 3/16 x 1 3/16	£6.33
FJ16	1 5/16 x 1 5/16	£6.56

COMET FLUID POWER ADAPTORS PRICE LIST

CODE	DESCRIPTION	PRICE
FJ20	1 5/8 x 1 5/8	£13.74
FJ24	1 7/8 x 1 7/8	£17.91

Metric Female/Female Swivel

Spherical seat on females

CODE	DESCRIPTION	PRICE
FM12	12mm x 12mm	£1.93
FM12/FM14	12mm x 14mm	£2.50
FM14	14mm x 14mm	£2.08
FM16	16mm x 16mm	£2.20
FM16/FM18	16mm x 18mm	£4.48
FM18	18mm x 18mm	£2.32
FM18/FM20	18mm x 20mm	£2.32
FM18/FM22	18mm x 22mm	£2.47
FM20	20mm x 20mm	£2.32
FM20/FM22	20mm x 22mm	£2.47
FM22	22mm x 22mm	£2.47

BSP Female x Female Fixed

CODE	DESCRIPTION	PRICE
FFB2	1/8 x 1/8	£0.58
FFB2/FFB4	1/8 x 1/4	£1.07
FFB2/FFB6	1/8 x 3/8	£10.75
FFB4	1/4 x 1/4	£0.49
FFB4/FFB6	1/4 x 3/8	£1.24
FFB4/FFB8	1/4 x 1/2	£2.25
FFB4/FFB12	1/4 x 3/4	£4.25
FFB6	3/8 x 3/8	£0.59
FFB6/FFB8	3/8 x 1/2	£1.67
FFB6/FFB12	3/8 x 3/4	£3.63
FFB8	1/2 x 1/2	£0.62
FFB8/FFB10	1/2 x 5/8	£3.29
FFB8/FFB12	1/2 x 3/4	£2.27
FFB8/FFB16	1/2 x 1	£5.56
FFB10	5/8 x 5/8	£1.62
FFB12	3/4 x 3/4	£1.51
FFB12/FFB16	3/4 x 1	£5.56
FFB12/FFB20	3/4 x 1 1/4	£10.29
FFB16	1 x 1	£2.30
FFB16/FFB20	1 x 1	£9.75
FFB20	1 1/4 x 1 1/4	£7.80

CODE	DESCRIPTION	PRICE
FFB20/FFB24	1 1/4 x 1 1/2	£13.54
FFB24	1 1/2 x 1 1/2	£12.60
FFB24/FFB32	1 1/2 x 2	£22.22
FFB32	2 x 2	£20.57
FFB40	2 1/2 x 2 1/2	£55.42
FFB48	3 x 3	£104.34

BSP Coned Plugs

CODE	DESCRIPTION	PRICE
P/MB2	1/8"	£0.36
P/MB4	1/4"	£0.35
P/MB6	3/8"	£0.38
P/MB8	1/2"	£0.49
P/MB10	5/8"	£0.69
P/MB12	3/4"	£0.76
P/MB16	1"	£1.23
P/MB20	1 1/4"	£2.63
P/MB24	1 1/2"	£3.50
P/MB28	1 3/4"	£50.46
P/MB32	2"	£7.01
P/MB40	2 1/2"	£28.92
P/MB48	3"	£41.54
P/MB64	4"	£77.29

BSP Taper Male Plugs

CODE	DESCRIPTION	PRICE
P/MBT2	1/8"	£0.54
P/MBT4	1/4"	£0.54
P/MBT6	3/8"	£0.84
P/MBT8	1/2"	£0.84
P/MBT10	5/8"	£1.62
P/MBT12	3/4"	£1.38
P/MBT16	1"	£2.32
P/MBT20	1 1/4"	£4.67
P/MBT24	1 1/2"	£7.80
P/MBT32	2"	£12.34
P/MBT40	2 1/2"	£45.23
P/MBT48	3"	£69.39

COMET FLUID POWER ADAPTORS PRICE LIST

JIC Plugs

CODE	DESCRIPTION	PRICE
P/MJ4	7/16"	£0.38
P/MJ5	1/2"	£0.59
P/MJ6	9/16"	£0.38
P/MJ7	5/8" (SAE 45° cone)	£2.07
P/MJ8	3/4"	£0.53
P/MJ10	7/8"	£0.62
P/MJ12	1 1/16"	£0.78
P/MJ14	1 3/16"	£2.47
P/MJ16	1 5/16"	£1.55
P/MJ20	1 5/8"	£4.36
P/MJ24	1 7/8"	£5.43
P/MJ32	2 1/2"	£12.34

ORFS Plugs c/w 'O' ring

CODE	DESCRIPTION	PRICE
P/M09	9/16"	£0.78
P/M011	11/16"	£0.97
P/M013	13/16"	£1.09
P/M016	1"	£1.42
P/M019	1 3/16"	£1.65
P/M023	1 7/16"	£2.01
P/M027	1 11/16"	£6.05
P/M032	2"	£12.30

BSP Swivel Blanking Caps

CODE	DESCRIPTION	PRICE
C/FB2	1/8"	£0.92
C/FB4	1/4"	£0.54
C/FB6	3/8"	£0.54
C/FB8	1/2"	£0.69
C/FB10	5/8"	£1.47
C/FB12	3/4"	£1.27
C/FB16	1"	£1.98
C/FB20	1 1/4"	£3.29
C/FB24	1 1/2"	£5.41
C/FB32	2"	£11.08

JIC Swivel Caps

CODE	DESCRIPTION	PRICE
C/FJ4	7/16"	£0.57
C/FJ5	1/2"	£1.24

CODE	DESCRIPTION	PRICE
C/FJ6	9/16"	£0.58
C/FJ8	3/4"	£0.78
C/FJ10	7/8"	£0.95
C/FJ12	1 1/16"	£1.46
C/FJ14	1 3/16"	£3.59
C/FJ16	1 5/16"	£4.13
C/FJ20	1 5/8"	£5.31
C/FJ24	1 7/8"	£8.30
C/FJ32	2 1/2"	£19.78

ORFS Swivel Blanking Caps

CODE	DESCRIPTION	PRICE
C/F09	9/16"	£0.78
C/F011	11/16"	£0.81
C/F013	13/16"	£1.04
C/F016	1"	£1.49
C/F019	1 3/16"	£2.11
C/F023	1 7/16"	£2.50
C/F027	1 11/16"	£3.63
C/F032	2"	£8.88

BSP Male Tee

Hexagon Body, brazed, suitable for bonded seal.

CODE	DESCRIPTION	PRICE
T/MB2	1/8"	£2.36
T/MB4	1/4" ***	£1.84
T/MB6	3/8" ***	£1.97
T/MB8	1/2" ***	£2.73
T/MB10	5/8"	£3.35
T/MB12	3/4" ***	£4.59
T/MB16	1" ***	£7.49
T/MB20/BZ	1 1/4" ***	£24.75

*** Forged type are cheaper

BSP Male Tee Forged

Not suitable for bonded seal

CODE	DESCRIPTION	PRICE
A25/B	1/4"	£1.82
A25/C	3/8"	£2.12
A25/D	1/2"	£2.73
A25/F	3/4"	£3.58
A25/H	1"	£4.56
T/MB20	1 1/4"	£10.19

COMET FLUID POWER ADAPTORS PRICE LIST

CODE	DESCRIPTION	PRICE
T/MB24	1 1/2"	£15.28
T/MB32	2"	£37.88

BSP Male Tee Forged

(For bonded seal)

CODE	DESCRIPTION	PRICE
T/MB20/BS/FG	1 1/4"	£24.17

BSP Male Tee

Square body. Brazed. Not suitable for bonded seal.

CODE	DESCRIPTION	PRICE
T/MB6/SQ	3/8"	£4.23
T/MB8/SQ	1/2"	£4.86
T/MB12/SQ	3/4"	£6.82
T/MB24/BZ	1 1/2" ***	£29.42
T/MB32/BZ	2" ***	£67.55

BSP Male Tees (Step sizes)

CODE	DESCRIPTION	PRICE
T/MB4/MB4/MB2	1/4 x 1/4 x 1/8	£3.83
T/MB4/MB4/MB6	1/4 x 1/4 x 3/8	£4.29
T/MB6/MB6/MB4	3/8 x 3/8 x 1/4	£4.33
T/MB6/MB6/MB8	3/8 x 3/8 x 1/2	£6.16
T/MB8/MB8/MB4	1/2 x 1/2 x 1/4	£5.39
T/MB8/MB8/MB6	1/2 x 1/2 x 3/8	£5.39
T/MB8/MB8/MB12	1/2 x 1/2 x 3/4	£11.69
T/MB10/MB8/MB10	5/8 x 1/2 x 5/8	£12.83
T/MB12/MB12/MB4	3/4 x 3/4 x 1/4	£7.91
T/MB12/MB12/MB6	3/4 x 3/4 x 3/8	£7.97
T/MB12/MB12/MB8	3/4 x 3/4 x 1/2	£7.41
T/MB16/MB16/MB12	1 x 1 x 3/4	£12.91
T/MB16/MB16/MB8	1 x 1 x 1/2	£12.91
T/MB24/MB24/MB12	1 1/2 x 1 1/2 x 3/4	£27.00

BSP Swivel Female Tees Forged

CODE	DESCRIPTION	PRICE
T/FB2	1/8"	£3.98
T/FB4	1/4"	£2.20
T/FB6	3/8"	£2.63
T/FB8	1/2"	£3.39
T/FB12	3/4"	£5.49

CODE	DESCRIPTION	PRICE
T/FB16	1"	£7.10
T/FB20	1 1/4"	£16.86
T/FB24	1 1/2"	£22.33
T/FB32	2"	£46.09

Square Body, Brazed

CODE	DESCRIPTION	PRICE
T/FB6/FB6/FB4	3/8 x 3/8 x 1/4	£4.73
T/FB8/FB8/FB4	1/2 x 1/2 x 1/4	£6.02
T/FB10	5/8 x 5/8 x 5/8	£6.08
T/FB12/BZ	3/4 x 3/4 x 3/4	£8.45
T/FB20/BZ	1 1/4 x 1 1/4 x 1 1/4	£22.32
T/FB24/BZ	1 1/2 x 1 1/2 x 1 1/2	£54.93
T/FB32/BZ	2 x 2 x 2	£71.87

BSP Male x Male x Female Swivel Tee

Hexagon Body, brazed, suitable for bonded seal

CODE	DESCRIPTION	PRICE
T/MB2/MB2/FB2	1/8 x 1/8 x 1/8	£4.00
T/MB4/MB4/FB4	1/4 x 1/4 x 1/4	£2.01
T/MB4/MB4/FB6	1/4 x 1/4 x 3/8	£4.36
T/MB6/MB6/FB4	3/8 x 3/8 x 1/4	£4.73
T/MB6/MB6/FB6	3/8 x 3/8 x 3/8	£2.23
T/MB6/MB6/FB8	3/8 x 3/8 x 1/2	£6.16
T/MB6/MB8/FB8	3/8 x 1/2 x 1/2	£10.60
T/MB8/MB8/FB8	1/2 x 1/2 x 1/2	£3.08
T/MB8/MB12/FB12	3/4 x 3/4 x 3/4	£12.80
T/MB10/MB10/FB10	5/8 x 5/8 x 5/8	£7.59
T/MB12/MB12/FB12	3/4 x 3/4 x 3/4	£5.01
T/MB16/MB16/FB16/BZ	1 x 1 x 1 ***	£10.77
Square body. Brazed. Not suitable for bonded seal		
T/MB20/MB20/FB20	1 1/4 x 1 1/4 x 1 1/4	£29.17
T/MB24/MB24/FB24	1 1/2 x 1 1/2 x 1 1/2	£40.20

BSP Male x Male x Female Forged Tee

Not suitable for bonded seal

CODE	DESCRIPTION	PRICE
T/MB6/MB6/FB6/FG	3/8"	£3.29
T/MB8/MB8/FB8/FG	1/2"	£3.79

COMET FLUID POWER ADAPTORS PRICE LIST

BSP Male x Female x Male Tee

Hexagon Body, brazed, suitable for bonded seal

CODE	DESCRIPTION	PRICE
T/MB2/FB2/MB2	1/8"	£5.25
T/MB4/FB4/MB4	1/4"	£2.05
T/MB6/FB6/MB6	3/8"	£2.23
T/MB8/FB8/MB8	1/2"	£3.06
T/MB10/FB10/MB10	5/8"	£10.67
T/MB12/FB12/MB12	3/4"	£5.10
T/MB16/FB16/MB16/BZ	1" ***	£13.53
Forged. Not suitable for bonded seal		
T/MB16/FB16/MB16	1"	£6.41
Square body brazed. Not suitable for bonded seal		
T/MB20/FB20/MB20	1 1/4"	£29.17
T/MB24/FB24/MB24	1 1/2"	£34.51
T/MB32/FB32/MB32	2"	£94.51

Step sizes

T/MB6/FB6/MB8	3/8 x 3/8 x 1/2	£7.10
T/MB8/FB8/MB4	1/2 x 1/2 x 1/4	£7.13
T/MB8/FB8/MB6	1/2 x 1/2 x 3/8	£6.37
T/MB10/FB8/MB10	5/8 x 1/2 x 5/8	£13.15
T/MB12/FB12/MB4	3/4 x 3/4 x 1/4	£7.43
T/MB12/FB12/MB6	3/4 x 3/4 x 3/8	£11.64
T/MB12/FB12/MB8	3/4 x 3/4 x 1/2	£12.33
T/MB12/FB16/MB12	3/4 x 1 x 3/4	£16.88
T/MB16/FB16/MB8	1 x 1 x 1/2	£11.83
T/MB16/FB16/MB12	1 x 1 x 3/4	£13.57
T/FB20/FB20/MB20	1 1/4 x 1 1/4 x 1 1/4	£27.68

BSP Male x Female x Male Forged Tee

Not suitable for bonded seal

CODE	DESCRIPTION	PRICE
T/MB4/FB4/MB4/FG	1/4"	£3.15
T/MB6/FB6/MB6/FG	3/8"	£3.31

BSP Male x Female x Female Swivel Tee

CODE	DESCRIPTION	PRICE
T/MB2/FB2/FB2	1/8 x 1/8 x 1/8	£4.95
T/MB4/FB4/FB4	1/4 x 1/4 x 1/4	£4.95
T/MB6/FB6/FB4	3/8 x 3/8 x 1/4	£5.51
T/MB6/FB6/FB6	3/8 x 3/8 x 3/8	£5.52
T/MB8/FB8/FB8	1/2 x 1/2 x 1/2	£7.16

CODE	DESCRIPTION	PRICE
T/MB10/FB10/FB10	5/8 x 5/8 x 5/8	£11.06
T/MB12/FB12/FB12	3/4 x 3/4 x 3/4	£11.12
T/MB16/FB16/FB16	1 x 1 x 1	£13.53
T/MB20/FB20/FB20	1 1/4 x 1 1/4 x 1 1/4	£29.17

BSP Female x Female x Male Tee

CODE	DESCRIPTION	PRICE
T/FB2/FB2/MB2	1/8 x 1/8 x 1/8	£5.41
T/FB4/FB4/MB4	1/4 x 1/4 x 1/4	£4.21
T/FB6/FB6/MB4	3/8 x 3/8 x 1/4	£12.06
T/FB6/FB6/MB6	3/8 x 3/8 x 3/8	£4.71
T/FB8/FB8/MB4	1/2 x 1/2 x 1/4	£9.21
T/FB8/FB8/MB8	1/2 x 1/2 x 1/2	£5.55
T/FB10/FB10/MB10	5/8 x 5/8 x 5/8	£7.59
T/FB12/FB12/MB12	3/4 x 3/4 x 3/4	£8.79
T/FB16/FB16/MB16	1 x 1 x 1	£11.95
T/FB20/FB20/MB20	1 1/4 x 1 1/4 x 1 1/4	£27.68

BSP Male x Adjustable Male x BSP Male Tee

CODE	DESCRIPTION	PRICE
T/MB4/AJMB4/MB4	1/4"	£5.83
T/MB6/AJMB6/MB6	3/8"	£6.76
T/MB8/AJMB8/MB8	1/2"	£7.44
T/MB12/AJMB12/MB12	3/4"	£8.42
T/MB16/AJMB16/MB16	1"	£13.22

BSP Male x Male x BSP Adjustable Tee

CODE	DESCRIPTION	PRICE
T/MB4/MB4/AJMB4	1/4"	£5.83
T/MB6/MB6/AJMB6	3/8"	£6.76
T/MB8/MB8/AJMB8	1/2"	£7.44
T/MB12/MB12/AJMB12	3/4"	£8.42
T/MB16/MB16/AJMB16	1"	£13.22

BSP Fixed Female Forged Tees

CODE	DESCRIPTION	PRICE
A80/A	1/8"	£1.65
A80/B	1/4"	£1.77

COMET FLUID POWER ADAPTORS PRICE LIST

CODE	DESCRIPTION	PRICE
A80/C	3/8"	£2.34
A80/D	1/2"	£3.13
A80/F	3/4"	£4.27
A80/H	1"	£5.83
A80/J	1 1/4"	£30.60
A80/K	1 1/2"	£37.10
A80/M	2"	£50.94

BSP Fixed Female Tees

Square Body, Brazed

CODE	DESCRIPTION	PRICE
T/FFB4/BZ	1/4"	£5.99
T/FFB10	5/8"	£10.73
T/FFB20	1 1/4"	£36.11
T/FFB24	1 1/2"	£98.24

JIC Male Tees

CODE	DESCRIPTION	PRICE
T/MJ4	7/16"	£1.35
T/MJ5	1/2"	£2.88
T/MJ6	9/16"	£1.44
T/MJ8	3/4"	£1.80
T/MJ10	7/8"	£2.08
T/MJ12	1 1/16"	£3.08
T/MJ14	1 3/16"	£10.34
T/MJ16	1 5/16"	£4.16
T/MJ20	1 5/8"	£20.17
T/MJ24	1 7/8"	£36.94
T/MJ32	2 1/2"	£61.03

JIC Swivel Female Tees

CODE	DESCRIPTION	PRICE
T/FJ4	7/16"	£4.12
T/FJ5	1/2"	£5.79
T/FJ6	9/16"	£4.70
T/FJ8	3/4"	£4.78
T/FJ10	7/8"	£7.95
T/FJ12	1 1/16"	£10.30
T/FJ14	1 3/16"	£19.82
T/FJ16	1 5/16"	£15.07
T/FJ20	1 5/8"	£36.23

JIC Male x Female x Male Tee

CODE	DESCRIPTION	PRICE
T/MJ4/FJ4/MJ4	7/16"	£1.84
T/MJ5/FJ5/MJ5	1/2"	£3.71
T/MJ6/FJ6/MJ6	9/16"	£2.01
T/MJ8/FJ8/MJ8	3/4"	£2.25
T/MJ10/FJ10/MJ10	7/8"	£2.84
T/MJ12/FJ12/MJ12	1 1/16"	£4.37
T/MJ16/FJ16/MJ16	1 5/16"	£6.13
T/MJ20/FJ20/MJ20	1 5/8"	£34.79
T/MJ24/FJ24/MJ24	1 7/8"	£47.20

JIC Male x Male x Female Tee

CODE	DESCRIPTION	PRICE
T/MJ4/MJ4/FJ4	7/16"	£1.84
T/MJ5/MJ5/FJ5	1/2"	£3.71
T/MJ6/MJ6/FJ6	9/16"	£1.90
T/MJ8/MJ8/FJ8	3/4"	£2.25
T/MJ10/MJ10/FJ10	7/8"	£2.84
T/MJ12/MJ12/FJ12	1 1/16"	£4.37
T/MJ16/MJ16/FJ16	1 5/16"	£6.13
T/MJ20/MJ20/FJ20	1 5/8"	£42.04
T/MJ24/MJ24/FJ24	1 7/8"	£43.15
T/MJ32/MJ32/FJ32	2 1/2"	£91.60

JIC Male x Female x Female Tee

CODE	DESCRIPTION	PRICE
T/MJ4/FJ4/FJ4	7/16"	£5.39
T/MJ5/FJ5/FJ5	1/2"	£5.59
T/MJ6/FJ6/FJ6	9/16"	£6.37
T/MJ8/FJ8/FJ8	3/4"	£6.79
T/MJ10/FJ10/FJ10	7/8"	£8.99
T/MJ12/FJ12/FJ12	1 1/16"	£14.92
T/MJ16/FJ16/FJ16	1 5/16"	£21.74

JIC Female x Female x Male Tee

CODE	DESCRIPTION	PRICE
T/FJ6/FJ6/MJ6	9/16"	£5.91
T/FJ8/FJ8/MJ8	3/4"	£6.78
T/FJ12/FJ12/MJ12	1 1/16"	£14.88

COMET FLUID POWER ADAPTORS PRICE LIST

BSP Male Crosses

CODE	DESCRIPTION	PRICE
X/MB2	1/8"	£7.25
X/MB4	1/4"	£2.98
X/MB6	3/8"	£3.17
X/MB8	1/2"	£4.14
X/MB10	5/8"	£12.95
X/MB12	3/4"	£13.47
X/MB16	1"	£19.79
X/MB20	1 1/4"	£34.45
X/MB24	1 1/2"	£27.50

BSP Swivel Female Crosses

CODE	DESCRIPTION	PRICE
X/FB4	1/4"	£3.17
X/FB6	3/8"	£4.14
X/FB8	1/2"	£5.36
X/FB10	5/8"	£15.92
X/FB12	3/4"	£14.38
X/FB16	1"	£21.72
X/FB20	1 1/4"	£38.61
X/FB24	1 1/2"	£72.37
X/FB32	2"	£95.27

BSP Fixed Female Crosses

Square Body, Brazed

CODE	DESCRIPTION	PRICE
X/FFB4	1/4"	£8.11
X/FFB8	1/2"	£11.54
X/FFB24	1 1/2"	£118.73

NPTF Fixed Female Crosses

CODE	DESCRIPTION	PRICE
X/FN4	1/4"	£12.81
X/FN6	3/8"	£14.59
X/FN8	1/2"	£18.63
X/FN12	3/4"	£16.52
X/FN16	1"	£23.65

JIC Male Crosses

CODE	DESCRIPTION	PRICE
X/MJ4	7/16"	£7.03
X/MJ6	9/16"	£7.21

CODE	DESCRIPTION	PRICE
X/MJ8	3/4"	£7.49
X/MJ10	7/8"	£10.61
X/MJ12	1 1/16"	£12.83
X/MJ16	1 5/16"	£19.51
X/MJ20	1 5/8"	£38.68
X/MJ24	1 7/8"	£80.66

BSP Male x Female 90° Block Elbows

Hexagon Body, Brazed, Suitable for bonded seal

CODE	DESCRIPTION	PRICE
E/MB2/FB2	1/8 x 1/8	£2.47
E/MB2/FB4	1/8 x 1/4	£4.48
E/MB4/FB2	1/4 x 1/8	£2.98
E/MB4/FB4	1/4 x 1/4	£1.62
E/MB4/FB6	1/4 x 3/8	£4.25
E/MB6/FB4	3/8 x 1/4	£4.25
E/MB6/FB6	3/8 x 3/8	£1.82
E/MB6/FB8	3/8 x 1/2	£4.50
E/MB8/FB6	1/2 x 3/8	£4.55
E/MB8/FB8	1/2 x 1/2	£2.27
E/MB8/FB12	1/2 x 3/4	£7.20
E/MB10/FB10	5/8 x 5/8	£3.59
E/MB12/FB8	3/4 x 1/2	£8.32
E/MB12/FB12	3/4 x 3/4	£4.27
E/MB12/FB16	3/4 x 1	£4.46
E/MB16/FB12	1 x 3/4	£10.73
E/MB16/FB16	1 x 1	£6.36
E/MB20/FB16	1 1/4 x 1	£20.25
E/MB20/FB20/BZ	1 1/4 x 1 1/4 ***	£18.24
E/MB24/FB24/BZ/HEX	1 1/2 x 1 1/2 ***	£44.42

Forged. Not suitable for bonded seal.

A36/A	1/8"	£2.30
A36/B	1/4"	£1.30
A36/C	3/8"	£1.51
A36/D	1/2"	£1.84
A36/F	3/4"	£3.06
A36/H	1"	£4.91
E/MB20/FB20	1 1/4"	£8.32
E/MB24/FB24	1 1/2"	£15.30
E/MB32/FB32	2"	£32.93

COMET FLUID POWER ADAPTORS PRICE LIST

Square Body. Brazed. Not suitable for bonded seal

CODE	DESCRIPTION	PRICE
E/MB16/FB16/SQ	1"	£11.54
E/MB24/FB24/BZ	1 1/2" ***	£34.37
E/MB32/FB32/BZ	2" ***	£51.11

*** Please note forged are cheaper

BSP Male x Male 90' Block Elbow

Hexagon Brazed for Bonded Seal

CODE	DESCRIPTION	PRICE
E/MB2	1/8 x 1/8	£2.55
E/MB2/MB4	1/8 x 1/4	£2.86
E/MB4	1/4 x 1/4	£1.69
E/MB4/MB6	1/4 x 3/8	£3.52
E/MB6	3/8 x 3/8	£1.65
E/MB6/MB8	3/8 x 1/2	£3.92
E/MB8	1/2 x 1/2	£1.88
E/MB10	5/8 x 5/8	£4.40
E/MB12	3/4 x 3/4	£4.16
E/MB16	1 x 1	£6.56

BSP Male x Male 90' Forged Elbow

CODE	DESCRIPTION	PRICE
E/MB12/FG	3/4" Not suitable for bonded seal	£2.88
E/MB12/FG/BS	3/4" Suitable for bonded seal	£4.05

BSP Male x Male 90' Block Elbow

Square body. Not suitable for bonded seal

CODE	DESCRIPTION	PRICE
E/MB12/SQ	3/4 x 3/4	£5.86
E/MB20	1 1/4 x 1 1/4	£13.61
E/MB24	1 1/2 x 1 1/2	£21.79
E/MB32	2 x 2	£47.67

BSP Male x BSP Taper Male 90' Elbow

CODE	DESCRIPTION	PRICE
E/MB2/MBT2	1/8 x 1/8	£3.96
E/MB4/MBT2	1/4 x 1/8	£3.94

CODE	DESCRIPTION	PRICE
E/MB4/MBT4	1/4 x 1/4	£2.94
E/MB4/MBT6	1/4 x 3/8	£4.81
E/MB6/MBT6	3/8 x 3/8	£4.40
E/MB8/MBT8	1/2 x 1/2	£5.21
E/MB12/MBT12	3/4 x 3/4	£7.68
E/MB16/MBT16	1 x 1	£10.68
E/MB20/MBT20	1 1/4 x 1 1/4	£24.57

BSP Male x NPTF Male 90' Elbows

CODE	DESCRIPTION	PRICE
E/MB4/MN4	1/4"	£3.58
E/MB6/MN6	3/8"	£4.40
E/MB8/MN8	1/2"	£5.21
E/MB12/MN12	3/4"	£7.68
E/MB16/MN16	1"	£10.68

BSP Male x JIC Male 90' Elbow

CODE	DESCRIPTION	PRICE
E/MB4/MJ4	1/4 x 7/16	£3.29
E/MB4/MJ5	1/4 x 1/2	£3.46
E/MB4/MJ6	1/4 x 9/16	£3.58
E/MB6/MJ6	3/8 x 9/16	£3.79
E/MB6/MJ8	3/8 x 3/4	£4.98
E/MB8/MJ8	1/2 x 3/4	£4.98
E/MB8/MJ10	1/2 x 7/8	£8.01
E/MB12/MJ10	3/4 x 7/8	£8.57
E/MB12/MJ12	3/4 x 1 1/16	£8.34
E/MB16/MJ16	1 x 1 5/16	£10.81

BSP Female x Female 90' Block Elbow

CODE	DESCRIPTION	PRICE
E/FB2	1/8 x 1/8	£3.36
E/FB2/FB4	1/8 x 1/4	£4.27
E/FB4	1/4 x 1/4 *	£1.65
E/FB4/FB6	1/4 x 3/8	£4.25
E/FB6	3/8 x 3/8 *	£1.98
E/FB6/FB8	3/8 x 1/2	£5.39
E/FB8	1/2 x 1/2 *	£2.40
E/FB10	5/8 x 5/8	£6.59

COMET FLUID POWER ADAPTORS PRICE LIST

CODE	DESCRIPTION	PRICE
E/FB12	3/4 x 3/4 *	£3.93
E/FB12/FB16	3/4 x 1	£10.02
E/FB16	1 x 1 *	£5.29
E/FB20	1 1/4 x 1 1/4 *	£11.49
E/FB20/BZ	1 1/4 x 1 1/4 Square body, brazed	£21.26
E/FB24	1 1/2 x 1 1/2 *	£21.05
E/FB32	2 x 2 *	£34.63

BSP Fixed Female 90' Elbows Forged

CODE	DESCRIPTION	PRICE
A70/B	1/4"	£1.77
A70/C	3/8"	£2.20
A70/D	1/2"	£2.71
A70/F	3/4"	£3.96
A70/H	1"	£5.54

BSP Fixed Female 90' Elbow Brazed

Square Body. Brazed.

CODE	DESCRIPTION	PRICE
E/FFB12	3/4"	£5.40
E/FFB20	1 1/4"	£18.51

BSP Male x Female 45' Forged Elbows

Not suitable for bonded seal

CODE	DESCRIPTION	PRICE
A32/B	1/4"	£1.53
A32/C	3/8"	£1.84
A32/D	1/2"	£2.07
A32/F	3/4"	£3.06
A32/H	1"	£6.01
A32/J	1 1/4"	£13.08
A32/K	1 1/2"	£23.56

BSP Male x Female 45' Forged Elbows

Suitable for bonded seal

CODE	DESCRIPTION	PRICE
A32/A/BS	1/8"	£10.04
A32/B/BS	1/4"	£5.06
A32/C/BS	3/8"	£7.20

CODE	DESCRIPTION	PRICE
A32/D/BS	1/2"	£7.65
A32/F/BS	3/4"	£9.21
A32/H/BS	1"	£7.43
A32/J/BS	1 1/4"	£19.51
A32/K/BS	1 1/2"	£35.40
A32/M/BS	2"	£94.43

BSP Female x Female Swivel 45' Elbows

CODE	DESCRIPTION	PRICE
E/3/FB4	1/4"	£1.93
E/3/FB6	3/8"	£2.30
E/3/FB8	1/2"	£3.38
E/3/FB12	3/4"	£5.31
E/3/FB16	1"	£8.25
E/3/FB20	1 1/4"	£14.58
E/3/FB24	1 1/2"	£25.46

JIC Male x JIC Swivel Female 90' Elbow

CODE	DESCRIPTION	PRICE
E/MJ4/FJ4	7/16"	£1.77
E/MJ5/FJ5	1/2"	£2.88
E/MJ6/FJ6	9/16"	£1.82
E/MJ8/FJ8	3/4"	£2.07
E/MJ10/FJ10	7/8"	£2.67
E/MJ12/FJ12	1 1/16"	£4.05
E/MJ14/FJ14	1 3/16"	£15.27
E/MJ16/FJ16	1 5/16"	£4.50
E/MJ20/FJ20	1 5/8"	£16.12
E/MJ24/FJ24	1 7/8"	£25.02
E/MJ32/FJ32	2"	£70.34

JIC Male x JIC Female 45' Elbow

CODE	DESCRIPTION	PRICE
E/3/MJ4/FJ4	7/16"	£1.98
E/3/MJ5/FJ5	1/2"	£8.14
E/3/MJ6/FJ6	9/16"	£2.01
E/3/MJ8/FJ8	3/4"	£2.32

COMET FLUID POWER ADAPTORS PRICE LIST

CODE	DESCRIPTION	PRICE
E/3/MJ10/FJ10	7/8"	£2.84
E/3/MJ12/FJ12	1 1/16"	£4.50
E/3/MJ16/FJ16	1 5/16"	£7.65
E/3/MJ20/FJ20	1 5/8"	£23.11
E/3/MJ24/FJ24	1 7/8"	£31.12
E/3/MJ32/FJ32	2 1/2"	£94.70

JIC Male x BSP Swivel Female 90' Elbow

CODE	DESCRIPTION	PRICE
E/MJ6/FB6	9/16 x 3/8	£5.25
E/MJ8/FB6	3/4 x 3/8	£6.53
E/MJ8/FB8	3/4 x 1/2	£5.51
E/MJ12/FB12	1 1/16 x 3/4	£10.73

JIC Male x JIC Male 90' Elbow

CODE	DESCRIPTION	PRICE
E/MJ4	7/16"	£1.89
E/MJ5	1/2"	£3.05
E/MJ6	9/16"	£2.05
E/MJ8	3/4"	£2.88
E/MJ10	7/8"	£3.71
E/MJ12	1 1/16"	£4.90
E/MJ14	1 3/16"	£9.17
E/MJ16	1 5/16"	£8.46
E/MJ20	1 5/8"	£21.64
E/MJ24	1 7/8"	£29.05

JIC Female x Female Swivel 90' Elbow

CODE	DESCRIPTION	PRICE
E/FJ4	7/16"	£2.88
E/FJ5	1/2"	£3.05
E/FJ6	9/16"	£3.28
E/FJ8	3/4"	£4.04
E/FJ10	7/8"	£5.10
E/FJ12	1 1/16"	£6.62
E/FJ14	1 3/16"	£15.27
E/FJ16	1 5/16"	£11.23
E/FJ20	1 5/8"	£15.85
E/FJ24	1 7/8"	£33.78

BSP Male x JIC Swivel Female 90' Elbow

CODE	DESCRIPTION	PRICE
E/MB4/FJ4	1/4 x 7/16	£3.85
E/MB6/FJ6	3/8 x 9/16	£4.37
E/MB6/FJ8	3/8 x 3/4	£5.91
E/MB8/FJ10	1/2 x 7/8	£6.84
E/MB12/FJ12	3/4 x 1 1/16	£9.41

BSP Taper Male x BSP Taper Male 90' Elbow

CODE	DESCRIPTION	PRICE
E/MBT4	1/4"	£4.73
E/MBT6	3/8"	£5.06
E/MBT8	1/2"	£5.74
E/MBT12	3/4"	£8.44
E/MBT16	1"	£11.75
E/MBT20	1 1/4"	£26.33

BSP Male x Female 90' Swept Elbow

CODE	DESCRIPTION	PRICE
E/S/MB2/FB2	1/8"	£3.74
E/S/MB4/FB4	1/4"	£1.67
E/S/MB6/FB6	3/8"	£1.93
E/S/MB8/FB8	1/2"	£2.23
E/S/MB10/FB10	5/8"	£5.93
E/S/MB12/FB12	3/4"	£4.16
E/S/MB16/FB16	1"	£7.65
E/S/MB20/FB20	1 1/4"	£12.23
E/S/MB24/FB24	1 1/2"	£21.80
E/S/MB32/FB32	2"	£32.45

BSP Female x Female 90' Swept Elbow

CODE	DESCRIPTION	PRICE
E/S/FB2	1/8"	£4.33
E/S/FB4	1/4"	£1.59
E/S/FB6	3/8"	£1.84
E/S/FB8	1/2"	£2.21
E/S/FB10	5/8"	£6.18

COMET FLUID POWER ADAPTORS PRICE LIST

CODE	DESCRIPTION	PRICE
E/S/FB12	3/4"	£4.37
E/S/FB16	1"	£7.80
E/S/FB20	1 1/4"	£14.92
E/S/FB24	1 1/2"	£23.11
E/S/FB32	2"	£37.41

BSP Male x Male 90' Swept Elbow

CODE	DESCRIPTION	PRICE
E/S/MB4	1/4"	£2.08
E/S/MB6	3/8"	£2.39
E/S/MB8	1/2"	£2.69
E/S/MB10	5/8"	£5.87
E/S/MB12	3/4"	£5.09
E/S/MB16	1"	£10.96
E/S/MB20	1 1/4"	£18.02
E/S/MB24	1 1/2"	£43.40
E/S/MB32	2"	£62.90

BSP Male x Female 45' Swept Elbow

CODE	DESCRIPTION	PRICE
E3/S/MB4/FB4	1/4"	£2.98
E3/S/MB6/FB6	3/8"	£3.56
E3/S/MB8/FB8	1/2"	£4.39
E3/S/MB10/FB10	5/8"	£5.93
E/3/S/MB12/FB12	3/4"	£6.80
E/3/S/MB16/FB16	1"	£11.08
E3/S/MB20/FB20	1 1/4"	£17.28
E3/S/MB24/FB24	1 1/2"	£43.40
E/3/S/MB32/FB32	2"	£62.90

BSP Female x Female 45' Swept Elbow

CODE	DESCRIPTION	PRICE
E3/S/FB4	1/4"	£2.98
E3/S/FB6	3/8"	£3.58
E3/S/FB8	1/2"	£4.39
E3/S/FB10	5/8"	£5.93
E3/S/FB12	3/4"	£6.80
E3/S/FB16	1"	£11.08

CODE	DESCRIPTION	PRICE
E3/S/FB20	1 1/4"	£17.28
E3/S/FB24	1 1/2"	£43.42
E3/S/FB32	2"	£62.90

BSP Male Male 45' Swept Elbow

CODE	DESCRIPTION	PRICE
E3/S/MB4	1/4"	£3.32
E3/S/MB6	3/8"	£3.73
E3/S/MB8	1/2"	£4.56

BSP Male x ORFS Male

CODE	DESCRIPTION	PRICE
MB2/MO9	1/8 x 9/16	£1.17
MB2/MO11	1/8 x 11/16	£9.21
MB4/MO9	1/4 x 9/16	£1.17
MB4/MO11	1/4 x 11/16	£1.28
MB6/MO9	3/8 x 9/16	£1.31
MB6/MO11	3/8 x 11/16	£1.17
MB6/MO13	3/8 x 13/16	£1.35
MB8/MO11	1/2 x 11/16	£1.51
MB8/MO13	1/2 x 13/16	£1.35
MB8/MO16	1/2 x 1	£1.84
MB8/MO19	1/2 x 1 3/16	£2.50
MB10/MO16	5/8 x 1	£6.37
MB10/MO19	5/8 x 1 3/16	£5.79
MB12/MO11	3/4 x 11/16	£10.38
MB12/MO13	3/4 x 13/16	£12.20
MB12/MO16	3/4 x 1	£1.98
MB12/MO19	3/4 x 1 3/16	£1.71
MB12/MO23	3/4 x 1 7/16	£8.09
MB16/MO23	1 x 1 7/16	£2.74
MB16/MO27	1 x 1 11/16	£5.98
MB20/MO19	1 1/4 x 1 3/16	£11.52
MB20/MO23	1 1/4 x 1 7/16	£10.84
MB20/MO27	1 1/4 x 1 11/16	£9.72
MB24/MO27	1 1/2 x 1 11/16	£24.57

COMET FLUID POWER ADAPTORS PRICE LIST

BSP Male x ORFS Female Swivel

CODE	DESCRIPTION	PRICE
MB4/FO9	1/4 x 9/16	£1.26
MB4/FO11	1/4 x 11/16	£1.27
MB4/FO13	1/4 x 13/16	£5.94
MB6/FO9	3/8 x 9/16	£1.44
MB6/FO11	3/8 x 11/16	£1.50
MB6/FO13	3/8 x 13/16	£1.62
MB8/FO13	1/2 x 13/16	£2.03
MB8/FO16	1/2 x 1	£2.07
MB8/FO19	1/2 x 1 3/16	£4.73
MB10/FO16	5/8 x 1	£7.43
MB12/FO16	3/4 x 1	£6.08
MB12/FO19	3/4 x 1 3/16	£2.71
MB12/FO23	3/4 x 1 7/16	£2.84
MB16/FO23	1 x 1 7/16	£4.05
MB16/FO27	1 x 1 11/16	£12.80
MB20/FO27	1 1/4 x 1 11/16	£6.72
MB24/FO32	1 1/2 x 2	£34.79

ORFS Male x ORFS Swivel Female

CODE	DESCRIPTION	PRICE
MO9/FO11	9/16 x 11/16	£2.25
MO9/FO19	9/16 x 1 3/16	£3.89
MO11/FO13	11/16 x 13/16	£2.50
MO11/FO19	11/16 x 1 3/16	£4.91
MO13/FO16	13/16 x 1	£4.50
MO16/FO19	1 x 1 3/16	£3.79
MO19/FO23	1 3/16 x 1 7/16	£4.50
MO23/FO27	1 7/16 x 1 11/16	£6.32

ORFS Male x ORFS Male

CODE	DESCRIPTION	PRICE
MO9	9/16 x 9/16	£1.19
MO11	11/16 x 11/16	£1.65
MO13	13/16 x 13/16	£2.05
MO16	1 x 1	£3.28
MO19	1 3/16 x 1 3/16	£4.56
MO23	1 7/16 x 1 7/16	£7.01
MO27	1 11/16 x 1 11/16	£9.06
MO32	2 x 2	£14.18

UNF Male x ORFS Male

CODE	DESCRIPTION	PRICE
MU4/MO9	7/16 x 9/16	£1.12
MU4/MO11	7/16 x 11/16	£1.05
MU6/MO9	9/16 x 9/16	£1.85
MU6/MO11	9/16 x 11/16	£1.59
MU6/MO13	9/16 x 13/16	£1.59
MU8/MO11	3/4 x 11/16	£1.78
MU8/MO13	3/4 x 13/16	£1.70
MU8/MO16	3/4 x 1	£2.63
MU10/MO16	7/8 x 1	£2.63
MU10/MO19	7/8 x 1 3/16	£2.84
MU12/MO16	1 1/16 x 1	£3.32
MU12/MO19	1 1/16 x 1 3/16	£3.32
MU16/MO19	1 5/16 x 1 3/16	£5.06
MU16/MO23	1 5/16 x 1 7/16	£5.10
MU20/MO23	1 5/8 x 1 7/16	£6.57
MU20/MO27	1 5/8 x 1 11/16	£6.57
MU24/MO23	1 7/8 x 1 7/16	£11.60

ORFS Bulkheads c/w Locknut

CODE	DESCRIPTION	PRICE
BH/MO9	9/16"	£1.74
BH/MO11	11/16"	£1.78
BH/MO13	13/16"	£2.03
BH/MO16	1"	£2.55
BH/MO19	1 3/16"	£3.85
BH/MO23	1 7/16"	£6.60
BH/MO27	1 11/16"	£18.23

ORFS Male x Female 90' Elbow

CODE	DESCRIPTION	PRICE
E/M09/F09	9/16"	£2.21
E/M011/F011	11/16"	£2.63
E/M013/F013	13/16"	£3.29
E/M016/F016	1"	£3.94
E/M019/F019	1 3/16"	£4.91
E/M023/F023	1 7/16"	£7.34
E/M027/F027	1 11/16"	£22.10
E/M032/F032	2"	£40.49

COMET FLUID POWER ADAPTORS PRICE LIST

ORFS Male x Female 45' Elbows

CODE	DESCRIPTION	PRICE
E/3/MO9/FO9	9/16"	£4.50
E/3/MO11/FO11	11/16"	£5.60
E/3/MO13/FO13	13/16"	£7.34
E/3/MO16/FO16	1"	£8.64
E/3/MO19/FO19	1 3/16"	£12.97
E/3/MO23/FO23	1 7/16"	£17.28
E/3/MO27/FO27	1 11/16"	£22.73
E/3/MO32/FO32	2"	£40.19

ORFS Male x Male 90' Elbow

CODE	DESCRIPTION	PRICE
E/M09	9/16"	£2.03
E/M011	11/16"	£2.67
E/M013	13/16"	£3.23
E/M016	1"	£4.39
E/M019	1 3/16"	£5.41
E/M023	1 7/16"	£15.24
E/M027	1 11/16"	£21.10

ORFS Male Tee

CODE	DESCRIPTION	PRICE
T/MO9	9/16"	£2.88
T/MO11	11/16"	£3.31
T/MO13	13/16"	£3.94

CODE	DESCRIPTION	PRICE
T/MO16	1"	£5.58
T/MO19	1 3/16"	£6.12
T/MO23	1 7/16"	£15.30
T/MO27	1 11/16"	£36.84

ORFS Male x Female x Male Tee

CODE	DESCRIPTION	PRICE
T/M09/F09/M09	9/16"	£2.81
T/M011/F011/M011	11/16"	£3.15
T/M013/F013/M013	13/16"	£3.70
T/M016/F016/M016	1"	£5.00
T/M019/F019/M019	1 3/16"	£6.22
T/M023/F023/M023	1 7/16"	£8.99
T/M027/F027/M027	1 11/16"	£32.45

ORFS Male x Male x Female Tee

CODE	DESCRIPTION	PRICE
T/M09/M09/F09	9/16"	£2.82
T/M011/M011/F011	11/16"	£3.15
T/M013/M013/F013	13/16"	£3.87
T/M016/M016/F016	1"	£5.00
T/M019/M019/F019	1 3/16"	£6.22
T/M023/M023/F023	1 7/16"	£8.99
T/M027/M027/F027	1 11/16"	£32.45

HQ & H SERIES

Flat face couplings made to the ISO 16028 Standard

INTRODUCTION

The HQ and H Series flat face couplings are Holmbury's flagship products, known globally for their leak free performance in high pressure pulse, hammer circuits and many other applications. Preferred choice for many global OEMs.

CONSTRUCTION

- HQ Series- Carbon steel with zinc nickel plating (1200 hours with no red rust in salt spray tests)
- H Series- Carbon steel with trivalent plating
- Fitted with Nitrile seals (Viton seals available)
- Also available in AISI 316 stainless steel (See HSS Series)

FEATURES

- Safety locking sleeve fitted as standard to prevent accidental disconnection
- Flat faces are easily wiped clean
- Allows for minimal inclusion of air and contaminants during connection
- Flat face design prevents fluid loss during disconnection
- Bidirectional flow
- Body sizes 06 to 25 (HQ Series), 32 to 40 (H Series)

ACCESSORIES

- Dust Caps, Plugs and Parking Stations are available for the HQ Series



SPECIFICATIONS

- Operating temperatures (With Nitrile seals): -40°C (-40°F) to 106°C (223°F), (With Viton seals): -20°C (-4°F) to 200°C (392°F)
- Couplings have been tested to the ISO 7241-2 Standard

APPLICATIONS

- Hammer circuits
- High pressure pulse applications
- Leak free environments
- Construction plant, mobile equipment, general industrial, nuclear, mining and agricultural industries

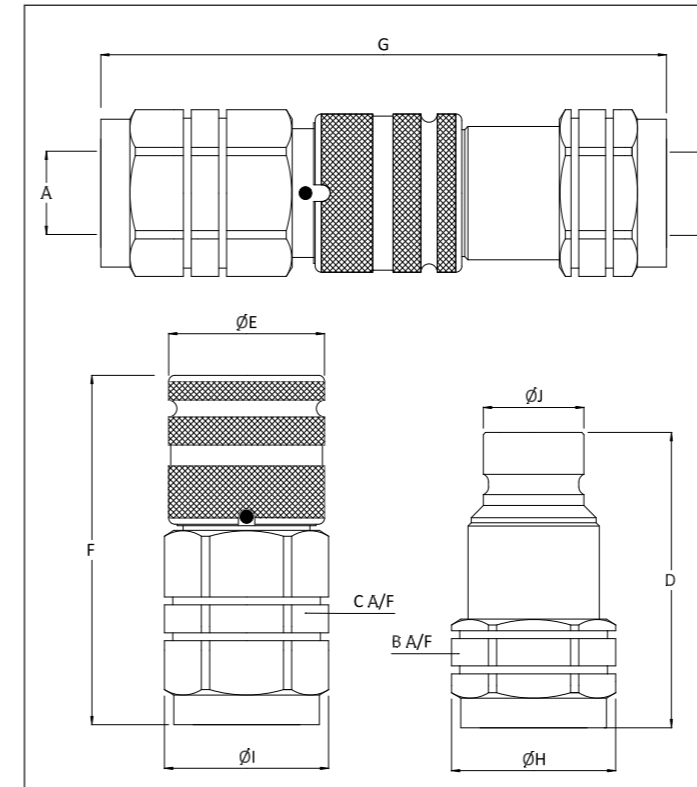
Holmbury Firg Series BSP

CODE	DESCRIPTION	PRICE
00003	FIRG1/4F	£18.06
00004	FIRG1/4M	£10.95
00005	FIRG3/8F	£18.89
00006	FIRG3/8M	£11.17
00007	FIRG1/2F	£19.68
00008	FIRG1/2M	£12.27
00011	FIRG3/4F	£34.05
00012	FIRG3/4M	£22.99

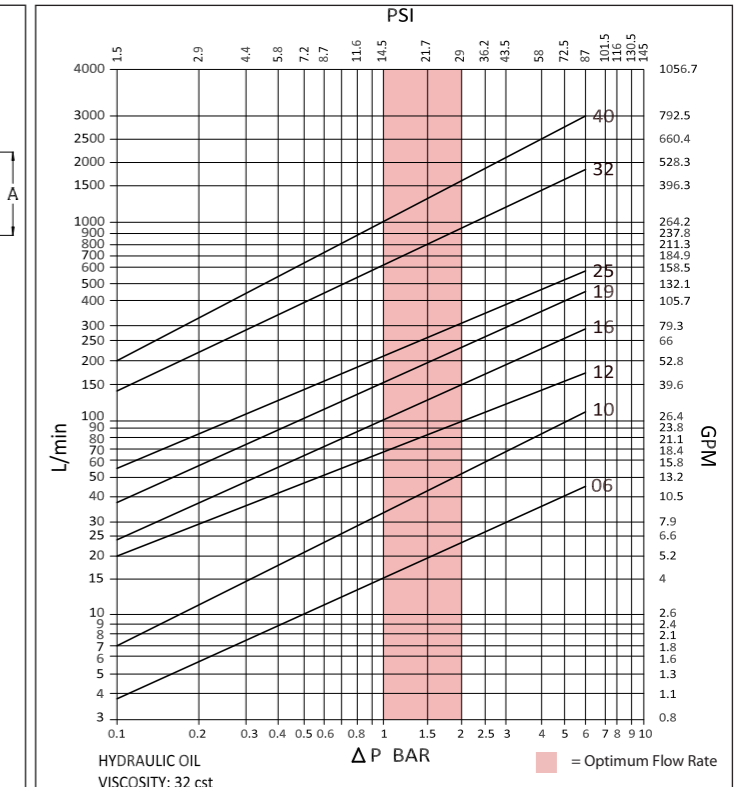
CODE	DESCRIPTION	PRICE
00015	FIRG1F	£80.23
00016	FIRG1M	£40.99
00017	FIRG11/14F	£113.67
00018	FIRG11/4M	£68.45
00019	FIRG11/2F	£434.25
00339	FIRG11/2M	£104.76
00021	FIRG2F	£698.19
00022	FIRG2M	£364.41

HQ & H SERIES

DRAWING



PRESSURE DROP CHARACTERISTICS



DIMENSIONS

Size	Thread Size (A)	Dimensions in mm									Maximum Working Pressure	Burst Pressure (Coupled)	Burst Pressure (Male)	Burst Pressure (Female)
		B	C	D	ØE	F	G	ØH	ØI	ØJ				
HQ 06	1/4"	22.0	27.0	53.8	28.0	54.3	97.0	24.0	29.0	16.2	400	1700	1220	1500
		0.9	1.1	2.1	1.1	2.1	3.8	0.9	1.1	0.6	5800	24650	17690	21750
HQ 10	3/8"	27.0	30.0	60.2	31.8	69.3	113.3	29.0	32.0	19.7	350	1500	1050	1100
		1.1	1.2	2.4	1.3	2.7	4.5	1.1	1.3	0.8	5075	21750	15225	15950
HQ 10	1/2"	27.0	30.0	63.2	31.8	74.2	121.5	29.0	32.0	19.7	350	1500	1050	1100
		1.1	1.2	2.5	1.3	2.9	4.8	1.1	1.3	0.8	5075	21750	15225	15950
HQ 12	1/2"& 3/4"	36.0	36.0	71.2	37.8	83.7	137.7	40.0	40.0	24.5	350	1200	1000	1050
		1.4	1.4	2.8	1.5	3.3	5.4	1.6	1.6	1.0	5075	17400	14500	15225
HQ 16	3/4"	36.0	41.0	73.1	42.0	83.9	139.8	38.5	45.1	27.0	350	1200	1100	1100
		1.4	1.6	2.9	1.7	3.3	5.5	1.5	1.8	1.1	5075	17400	15950	15950
HQ 19	1"	46.0	46.0	84.0	45.5	99.0	161.6	50.3	50.2	30.0	350	1450	1050	1050
		1.8	1.8	3.3	1.8	3.9	6.4	2.0	2.0	1.2	5075	21025	15225	15225
HQ 25	1 1/4"	55.0	55.0	90.4	55.0	106.2	173.3	59.7	59.7	36.0	260	800	800	800
		2.2	2.2	3.6	2.2	4.2	6.8	2.4	2.4	1.4	3770	11600	11600	11600
H 32	1 1/2"	70.0	70.0	119.8	79.0	118.5	209.5	77.0	79.0	57.0	250	1100	1200	1200
		2.8	2.8	4.7	3.1	4.7	8.2	3.0	3.1	2.2	3625	15950	17400	17400
H 40	2"	80.0	80.0	173.4	103.0	145.5	282.3	106.2	106.2	72.9	250	1000	1000	1000
		3.1	3.1	6.8	4.1	5.7	11.1	4.2	4.2	2.9	3625	14500	14500	14500

PSI= Bar x14.5 Inches= mm/25.4

COMET FLUID POWER

IA SERIES

ISO A couplings made to the ISO 7241:2014 Series A Standard

INTRODUCTION

Holmbury's IA Series ISO A couplings are the ideal choice where a tough, durable product of superior quality is required. They are perfectly suited to agricultural and industrial applications.

CONSTRUCTION

- Carbon steel with trivalent plating (Zinc nickel plating available)
- Fitted with Nitrile seals (Viton seals available)
- Also available in AISI 316 stainless steel (See IAS Series)
- Also available in Ford style

FEATURES

- Optional zinc nickel plating provides corrosion resistance (1200 hours with no red rust in salt spray tests)
- Poppet valves have balanced springs
- Locking ball system allows quick connection
- Bidirectional flow

ACCESSORIES

- Dust Caps, Plugs, Parking Stations and Seal Kits are available for the IA Series



SPECIFICATIONS

- Operating temperatures (with Nitrile seals): -40°C (-40°F) to 106°C (223°F), (with Viton seals): -20°C (-4°F) to 200°C (392°F)

APPLICATIONS

- Agricultural
- Mobile
- Construction

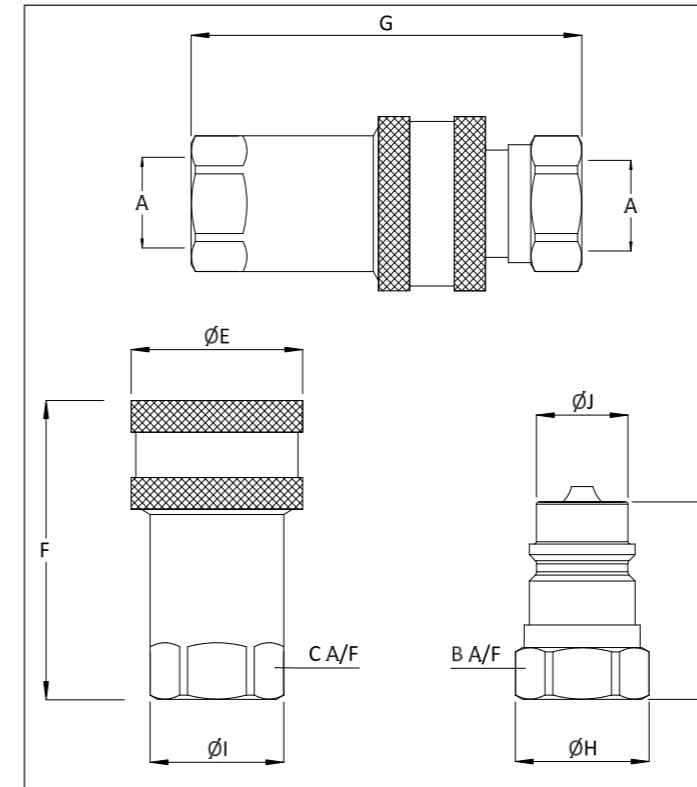
Holmbury ISO "A" Series BSP

CODE	DESCRIPTION	PRICE
00460	BIR1/4F	£6.25
00461	BIR1/4M	£2.63
00462	BIR3/8F	£7.51
00463	BIR3/8M	£3.28
00464	BIR1/2F	£9.11
00465	BIR1/2M	£3.55
00466	BIR3/4F	£17.53
00467	BIR3/4M	£7.29

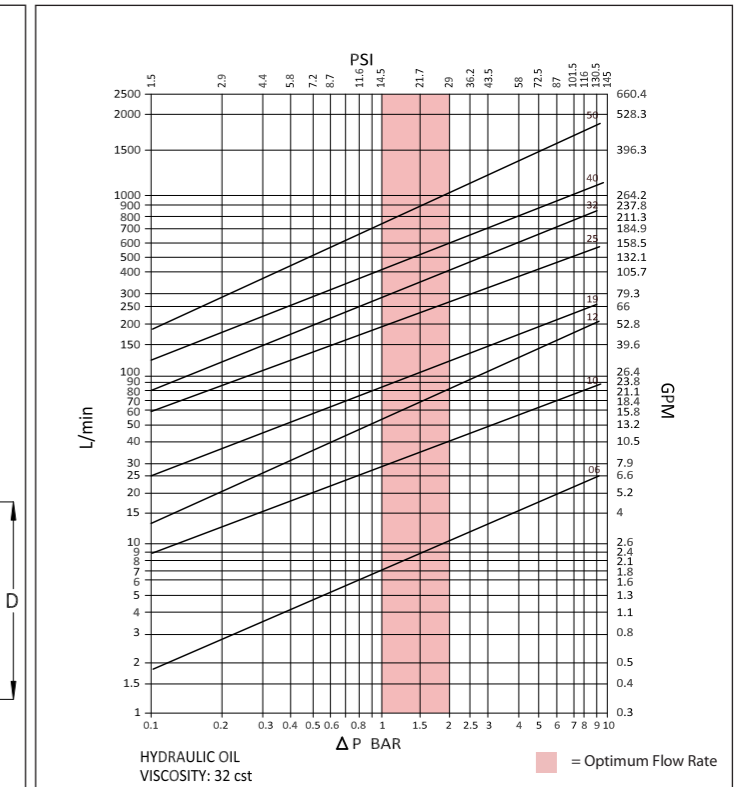
CODE	DESCRIPTION	PRICE
00468	BIR1F	£26.65
00469	BIR1M	£10.77
00470	BIR11/14F	£56.24
00471	BIR11/4M	£22.85
00472	BIR11/2F	£79.98
00473	BIR11/2M	£32.86
00474	BIR2F	£157.14
00475	BIR2M	£59.63

IA SERIES

DRAWING



PRESSURE DROP CHARACTERISTICS



DIMENSIONS

Size	Thread Size (A)	B	C	D	ØE	F	G	ØH	ØI	ØJ	Maximum Working Pressure	Burst Pressure (Coupled)	Burst Pressure (Male)	Burst Pressure (Female)
Dimensions in mm												Bar		
Dimensions in Inches												Psi		
IA 06	1/4"	19	19	35.5	26	49.5	71	21	21	11.8	400	2200	1900	1800
		0.7	0.7	1.4	1.0	1.9	2.8	0.8	0.8	0.5	5800	31900	27550	26100
IA 10	3/8"	22	22	36.5	31.5	56	75	24	24	17.2	350	1800	1700	1600
		0.9	0.9	1.4	1.2	2.2	3.0	0.9	0.9	0.7	5075	26100	24650	23200
IA 12	1/2"	27	27	43.5	38.5	66	88	30	30	20.5	320	1500	1500	1400
		1.1	1.1	1.7	1.5	2.6	3.5	1.2	1.2	0.8	4640	21750	21750	20300
IA 19	3/4"	35	35	57	47	80	111	38	38	29	300	1300	1300	1200
		1.4	1.4	2.2	1.9	3.1	4.4	1.5	1.5	1.1	4350	18850	18850	17400
IA 25	1"	41	41	60	55.5	94	120	44.5	44.5	34.2	250	1200	1100	1000
		1.6	1.6	2.4	2.2	3.7	4.7	1.8	1.8	1.3	3625	17400	15950	14500
IA32	1 1/4"	50	50	75	69	117	150	56	56	45	250	1200	1200	1150
		2.0	2.0	3.0	2.7	4.6	5.9	2.2	2.2	1.8	3625	17400	17400	16675
IA 40	1 1/2"	60	60	83.5	84	131	168.5	63	66	55	230	1000	1000	900
		2.4	2.4	3.3	3.3	5.2	6.6	2.5	2.6	2.2	3335	14500	14500	13050
IA 50	2"	75	75	105	99	165	211.5	83	83	65	170	800	800	750
		3.0	3.0	4.1	3.9	6.5	8.3	3.3	3.3	2.6	2465	11600	11600	10875

PSI= Bar x14.5 Inches= mm/25.4